

**Committed to Future**  
**Committed to Light**



**SWORD<sup>®</sup>**  
S E R I E S



# Technology That Pushes

## Limits

### Technology for Innovators

#### RDM Monitoring

The lighting controls industry has evolved in favour of RDM. DMX512, the control standard across entertainment & architecture lighting controls, now offers two-way communications for configuration, monitoring and system setup via RDM protocol.

RDM is a killer way to work with your fixtures that are in the air while you are on the ground.

Did a stagehand or technician address 2 lights to the same address? Are some or all of your fixtures in the wrong mode? With RDM, you can change any of these things and more. Depending on your RDM controller, you either can work with 1 fixture at a time, or make changes to a number of fixtures very quickly.

In days before RDM, accessing functions and diagnostics of your fixture like the DMX address, control mode, lamp hour, and fan speed meant you had to be next to the fixture whether it was on the ground or 200 meters up in the air!

The RDM Protocol provides configuration and feedback from architecture lighting, theatre lighting systems, live events, and more. It works by sending pulses of data down the DMX line in-between the normal DMX commands. RDM actually communicates down the same lines as your DMX.

Many consoles and devices allow you to scan for RDM on an as-needed basis, or you can leave your RDM functionality on full-time. Hera LED fixtures, power supplies and splitters are completely compatible and compliant with RDM and have RDM monitoring features via Madrix controllers and software.



# Madrix Radar Software

Hera LED's DMX lighting fixtures are also equipped with Remote Device Management. It is a two-way communication for receiving instructions as well as sending out feedback.

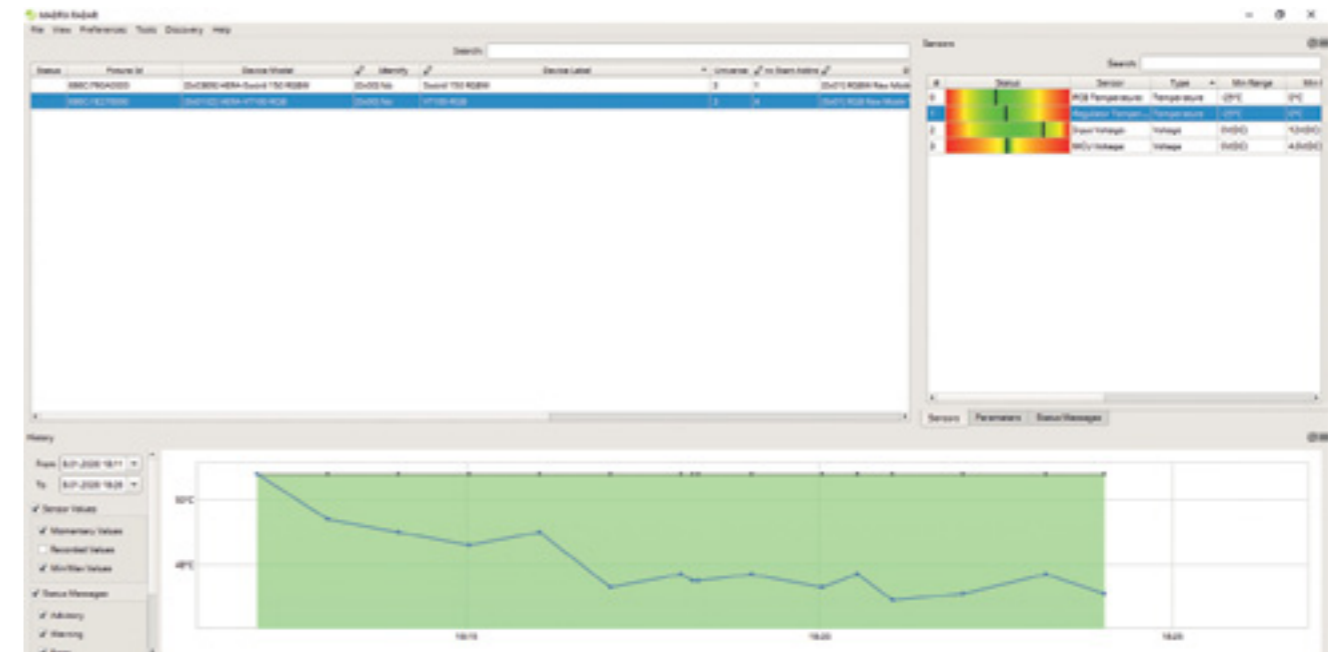
When devices report back data, you gain access to a whole new level of available information, insights, and control. MADRIX® RADAR is the complete toolbox to make the most of this data; automatically and efficiently.

With MADRIX® RADAR, one can supervise all lighting fixtures in a single software and handle large amounts of RDM devices. It is a new kind of application that opens up entirely new possibilities for you and your clients. MADRIX® RADAR includes automatic fixture patching, fully automatic 24/7 device monitoring, automatic e-mail notifications, and much more. This new software will allow you to configure settings remotely in an easy manner, monitor devices automatically for you, quickly see the results in graphical overviews at a single glance. That means that your setup and maintenance processes are much faster, much easier, and much more cost-efficient than ever before.

You can build a database of past sensor data and see the progression of device parameters, such as temperature and operating hours and exchange devices that are likely to fail soon. This way your maintenance costs are much more predictable.

Visualise how your system works.  
Provide unparalleled support for each installation.  
Start offering all-new benefits to your clients.  
Unleash the full potential of RDM.

ID	Status	Sensor	Type	Min Range	Min Okay	Min Detected	Value	Max Detected	Max Okay	Max Range	Record Value Support	Res
0		PCB Temperature	Temperature	-25°C	0°C	0°C	35.8°C	38.5°C	85°C	120°C	[5x01] Recorded Value Supported	
1		Regulator Temperature	Temperature	25°C	0°C	0°C	40.0°C	50.0°C	80°C	120°C	[5x01] Recorded Value Supported	
2		Input Voltage	Voltage	0V(DC)	12V(DC)	0V(DC)	48.9V(DC)	47V(DC)	35V(DC)	60V(DC)	[5x01] Recorded Value Supported	
3		MCU Voltage	Voltage	0V(DC)	4.5V(DC)	0V(DC)	4.9V(DC)	4.9V(DC)	3.5V(DC)	10V(DC)	[5x01] Recorded Value Supported	



## UNLEASH THE FULL POTENTIAL OF RDM

TRANSFORM HOW YOU WORK WITH LUMINARIES. EASILY CONFIGURE SETTING REMOTELY. LET THE SOFTWARE MONITOR DEVICES AUTOMATICALLY FOR YOU

## AUTOMATIC E-MAIL NOTIFICATIONS

PROVIDE UNPARALLELED SUPPORT FOR EACH INSTALLATION. START OFFERING ALL NEW BENEFITS TO YOUR CLIENTS

## FULLY AUTOMATIC 24/7 DEVICE MONITORING

BUILD A DATABASE OF PAST SENSOR DATA AND SEE THE PROGRESS ON OF DEVICE PARAMETERS. SUCH AS TEMPERATURE AND OPERATING HOURS

## INTRODUCING MADRIX RADAR

FULLY AUTOMATIC 24/DEVICE MONITORING. AUTOMATIC E-MAIL NOTIFICATIONS. UNLEASH THE FULL POTENTIAL OF RDM

### **Continuous Monitoring on Sensor Data**

Let the software monitor all of your devices 365 days a year, 7 days a week, 24 hours a day. It does so fully automatically without any required supervision.

MADRIX® RADAR checks the status of devices, such as voltage, temperature, status, power cycle, life cycle, and more. Graphical overviews allow you to quickly see if a sensor value is within its specified limits or out of its valid range.

### **Simplified Fixture Addressing by Addressing**

Easily set up your RDM devices remotely. You can perform any configuration conveniently from your computer; instead of requiring direct access to the devices.

### **Fast Workflow with Powerful Automation**

Drastically reduce the time-consuming process of configuring a large number of devices. Use the built-in search function and change settings of a single device or select several entries to quickly make multiple changes at once.

Let the software automatically patch all fixtures in a single DMX universe or across the entire range of addresses. Simply use drag and drop to put them in the correct order.

### **Fixture Discovery and Full Support on RDM**

Use the built-in highlight mode to let a fixture flash with full-on white for quick identification of fixtures. See if devices correctly responds to DMX commands.

MADRIX® RADAR supports all RDM parameters detailed in the official protocol specifications of ANSI E1.20 and ANSI E1.37-1 over Art-Net.

### **Automatic Notifications and Event Reports**

In addition to merely requesting and receiving information, the software will apply its own logical routines in order to create events for you. By probing and validating incoming data, MADRIX® RADAR provides actionable reports for you.

If MADRIX® RADAR detects any irregularities, you can receive automatic status updates within the software, run a PowerShell script, or let the system conveniently send you e-mails.

### **Invaluable Data History**

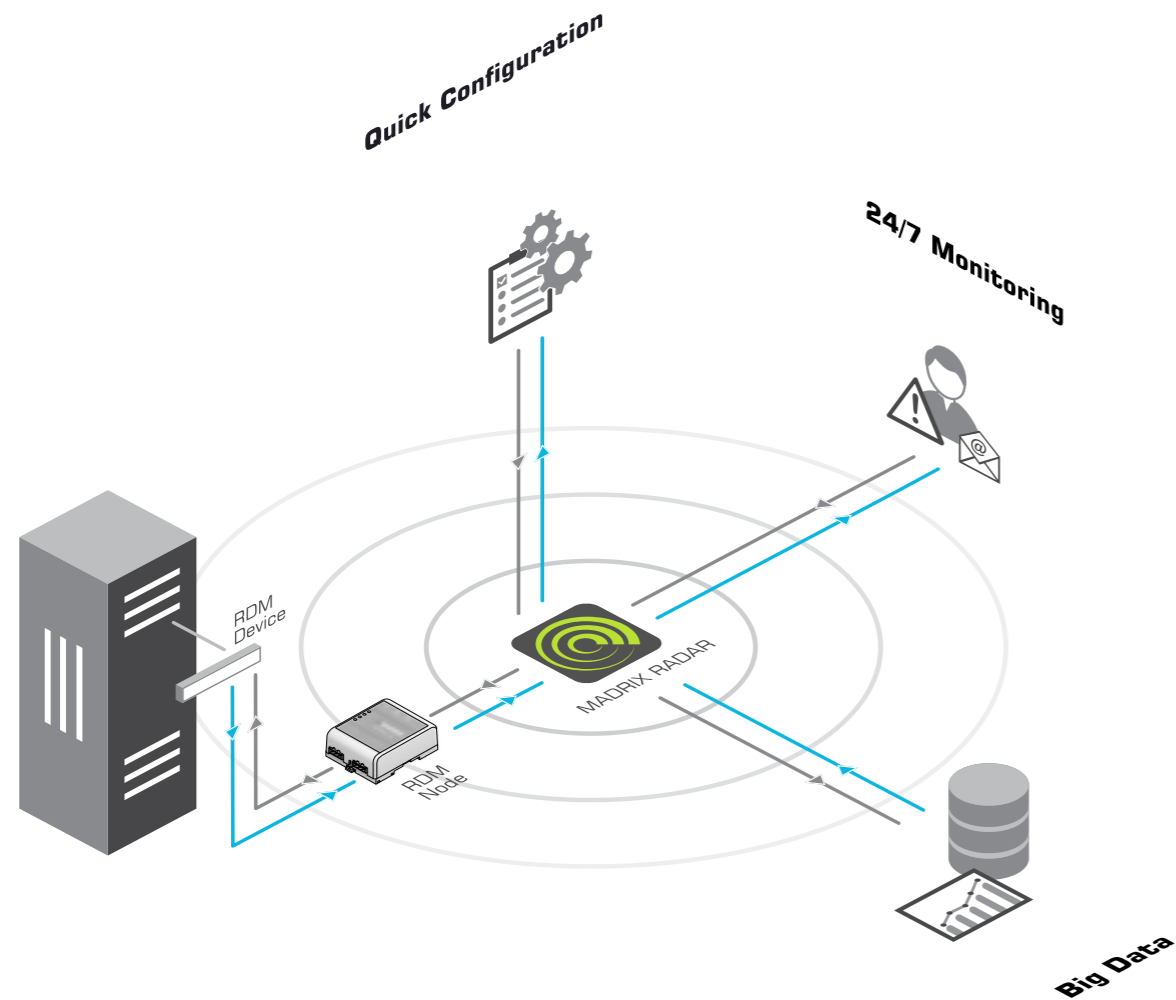
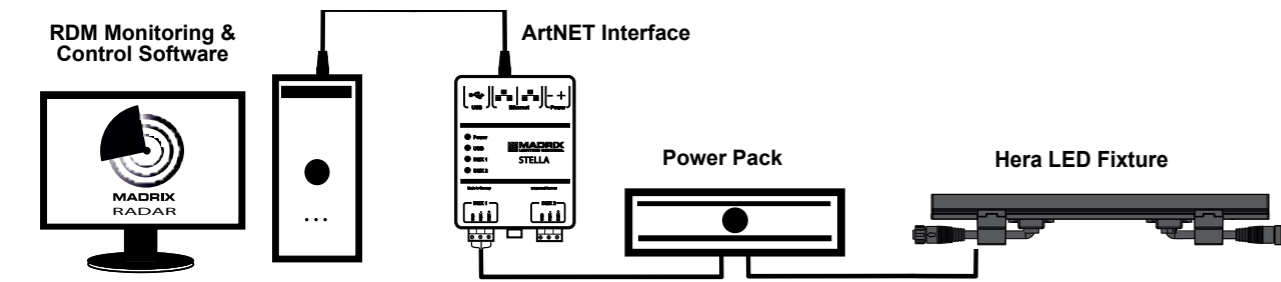
Leverage the valuable information that a device's data history can provide. See individual time series graphically over time. Access data records to see the progression, and find trend lines.

### **Smart Data Management**

Present comprehensive statistics to your clients based on the data that MADRIX® RADAR is collecting. Replace failing devices and avoid replacing the ones that need no immediate replacement. You can freely enable or disable if data points are recorded, for example

# Setup & Configuration

# With License Model Integra Flexibly Into Your Projects



The MADRIX® System takes advantage of high-quality software and high-quality hardware.

	MADRIX® RDM Nodes		Third-Party RDM Nodes & MADRIX® RADAR License		
			MADRIX® RADAR fusion small	MADRIX® RADAR fusion medium	MADRIX® RADAR fusion large
RDM Devices/Sub-Devices	Automatically unlocks for all connected RDM devices/sub-devices.		32	256	2,048
Management	Yes	Yes	Yes	Yes	Yes
Configuration	Yes	Yes	Yes	Yes	Yes
Monitoring	Yes	Yes	Yes	Yes	Yes



MADRIX RADAR is an independent software that allows you to choose compatible RDM nodes. You gain the enormous advantage with MADRIX RDM nodes of running a fully integrated system. MADRIX hardware processes RDM data packages in a way that does not result in interference with DMX data packages during full and live operation, which could lead to visual flickering or other signal interruptions.

MADRIX interfaces manage these data streams highly efficiently and intelligently.



# **SWORD<sup>®</sup>**

**S E R I E S**



## **GET EMPOWERED WITH OUR LIGHT**

Sword® Series provides optimum illumination with a wide color range, customization options and excellent colour harmony in media architectural facade lighting (buildings, bridges, stadiums etc.), creative stage lighting and special lighting designs.

This linear product enables the perfect dynamic lighting solution with unlimited pixel options, extensive accessory alternatives and easy assembly structure.

## What Sets You Apart is What Makes You Great

With its history and experience of designing high profile lighting products, Hera Led Sword products offer a range specifically for architectural lighting applications and permanent installations. Full IP rating and special housings for the permanent installations is our standard so is extensive colour mixing. Our high reliability keeps operational costs very low and provides a user friendly lifetime. Swords®, like our other fixtures, utilize only the best and most current components within and provides end users with best of quality.

Facade lighting applications in our projects, blends in with the architecture and scenery and stands out with an elegant yet colourful appearance. With our Sword® product range, your building will stand out, and even the most intricate details will be brought out.

Our facade lighting will be an element which makes your building unique, and to your taste in every aspect.



Bosphorus Hotel / Antalya Turkey



# High Performance by Certified Quality

Product complies with EU Safety regulations of EN 60598-1, EN 60598-2-3, EN 62471, EN 60950-1, EN 60950-22, EN 60529, EN 62262.

Product complies with EU EMC standards of EN 55024, EN 55032, EN 61000-4-3, EN 61000-4-4, EN 61000-4-6, EN 61000-4-8.

Product complies with US Safety standards of UL 1598, UL 60950-1, UL 60950-22 and US EMC standard of FCC Part 15 Class A.

Product has ASTM B117-D610-D714-D1654 Salt Spray Test Report.

We fully trust in our products and give 5-year warranty for all our product lines, subject to conditions given in the warranty agreement

## Our Light Is Extra Bright

Sword RGB® operates via 48V DC. This enables usage of very long starter and jumper cables, easing installation to a great extent.

Apart from entertainment lighting, our products are most widely used in architecture lighting. We know the vital role lighting plays in the way people experience and understand architecture. Lighting is the medium that allows us to see and appreciate the beauty in the buildings and bring an emotional value to the architecture.

Once we get in on a project, we collaborate with the architect, contractor and lighting designer to create an impressive facade lighting, one which is cohesive, seamless, unique and supporting investors achieve its true purpose.

Vision is the single most important sense through which we enjoy architecture & stage designs, and our lighting solutions enhances the way we perceive them.

## Reliability in Numbers



Sword® fixtures are in IP67, IK10 protection class and with their robust and durable structure, are designed to meet extremely difficult requirements of outdoor facade applications. Swords are resistant to impact, vibration and other harsh conditions, with their aluminum housing and special filler materials. They have passed Verification and Reliability tests.

Our conventional fixtures stand the test of time, withstand even the harshest conditions, including dirty power, high-vibration, extreme temperatures and hazardous or volatile outdoor environments.

Facade lighting is an increasingly popular feature of landmark architectural projects, and with our high-quality, rock-solid reliable products, architectures will shine forever like diamonds.



# Do It Right Even When Nobody Is Looking

Housing of fixtures is extruded aluminum in Swords®. Front material is extruded polycarbonate UV and impact-resistant opal diffuser. Diffuser profiles are resistant to UV, and never turn yellow during their lifetime thanks to alloyed PMMA and PC.

End caps are aluminum and installation brackets are die-cast aluminum. All hardware is stainless steel and gaskets are silicone making the fixtures very robust and totally fit for outdoor.

Sword® fixtures have an extra flexible mounting feature, which can be used in confined spaces with a mounting bracket that can move on them. Thanks to the special side-cover design, fixtures are mounted right side-by-side and no shadow forms. Swords® provide power and data transmission via input and output connectors. IP68 connectors are of push-lock structure and can be easily rotated and assembled, hence there is no need to use extra junction-boxes.

Product's slim profile (30mm) ensures to integrate and camouflage easily into different types of facade coatings. Surface finish is standard RAL 9005 but can be custom made to any RAL code. Direct View, Radius Diffused, Round Diffused, Flat Diffused options all have a continuous linear appearance.

With these genuine characteristics, Sword® range provides a complete system of direct view linear LED luminaires for media facades and delineation of large-scale structures.





## Your Imagination is **Vision**

### **Sword® RGB**

Designed for a wide range of architecture applications. Offers great quality and outstanding performance.

Sword® RGB fixtures provide a dynamic lighting solution with unlimited pixel options, sophisticated accessory alternatives and easy-to-assemble structure. It has 16.7 million additive RGB color options, with 3 in 1 chip RGB LEDs. Sword® RGB is used especially in dynamic lighting applications that requires a long and linear appearance, and thus offers great opportunities for special lighting designs.

The luminaires use RGB LEDs in a single package, premixing colors to avoid shadows.

### **Sword® RGBW**

Sword® RGBW fixtures provide a dynamic lighting solution with unlimited pixel options, sophisticated accessory alternatives and easy-to-assemble structure. It has 16.7 million additive RGB color options+white CCT 6500 K, with 4 in 1 chip RGB LEDs.

Sword® RGBW is used especially in dynamic lighting applications that require intricately designed effects in an architectural setting.

With RGB + smart white algorithms, the 3-channel system controls 4 colors per pixel. This feature provides white colors in better quality, therefore improves display brightness and efficiency.

### **Sword® DW**

Tunable white luminaire that enables selection of any color temperature from 2700K to 6500K Sword®DW Series, provides ideal illumination with excellent range of color temperatures in media facade lighting. Desired animations are achieved using LEDs at a 2700 K - 6500 K color temperature range. Warm White is 77CRI, Cool White is 75CRI, DW Full on 79CRI.

Sword® DW fixture provides a dynamic lighting solution with unlimited pixel options, sophisticated accessory alternatives and easy-to-assemble structure.

## In Swords We Have Three Separate Diffuser Types and Direct View Option

Light is distributed in a homogeneous way with our diffusers. Fixtures are connected in such a way that no shadows form between them, and a much uniform continuous lighting is provided for all applications.

### **Direct View**

There is no diffuser on Direct View Swords hence lighting is very powerful. Direct View fixtures are more used in mesh applications.

Beam angle is 130 degrees.

### **Flat Diffused**

Flat diffusers are like radius diffusers but used more for special applications like lighting niches. Flat diffused fixtures are aligned completely with the facade walls, hence can be used for retained implementations.

Beam angle is 160 degrees.

### **Radius Diffused**

Radius diffusers provide a stronger focused light, since light is not scattered as much as round diffused type.

Beam angle is 160 degrees.

### **Round Diffused**

Round diffusers provide a thick ray in contour lighting due to its curves and wider beam angle, and makes an emphasized appearance on the building.

Beam angle is 165 degrees.

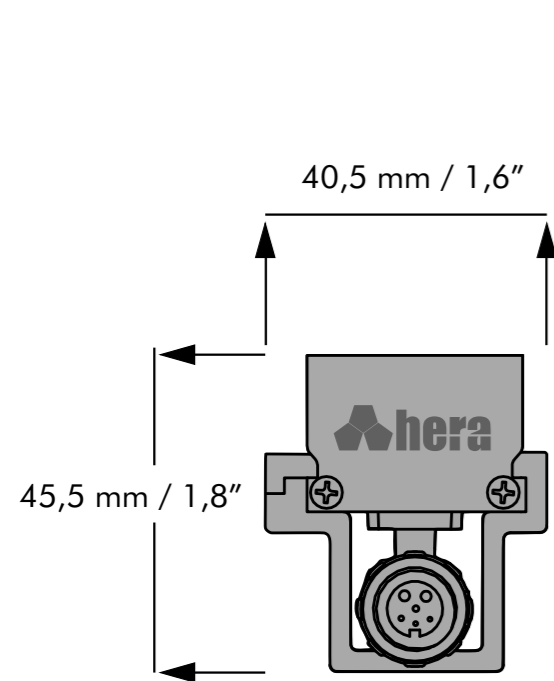
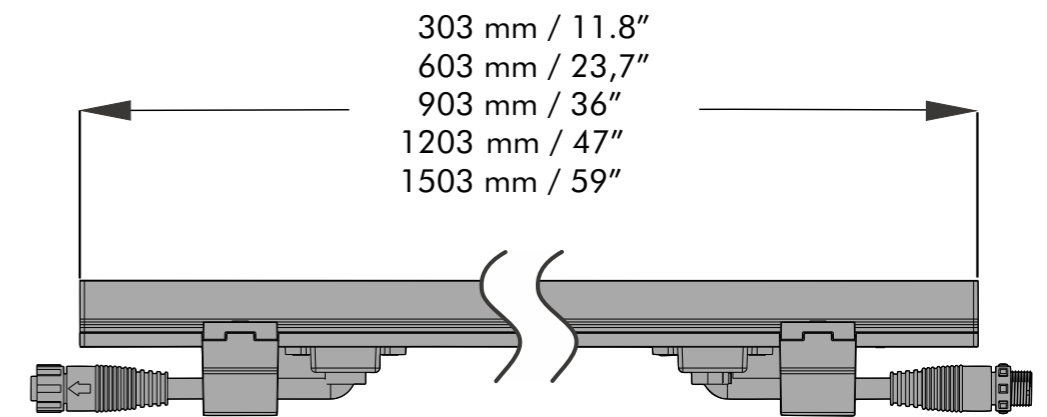


# Family Size

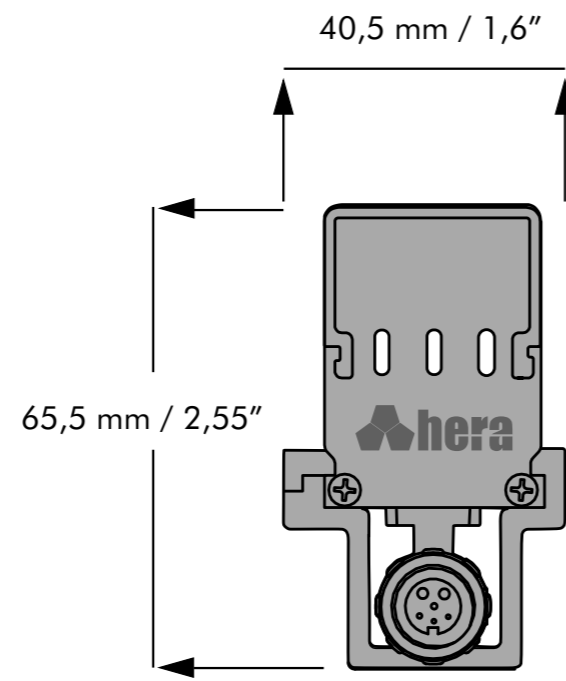
Sword® series have been designed taking into consideration all assembly criteria.

It has five length options that gives freedom and flexibility in concept designs.

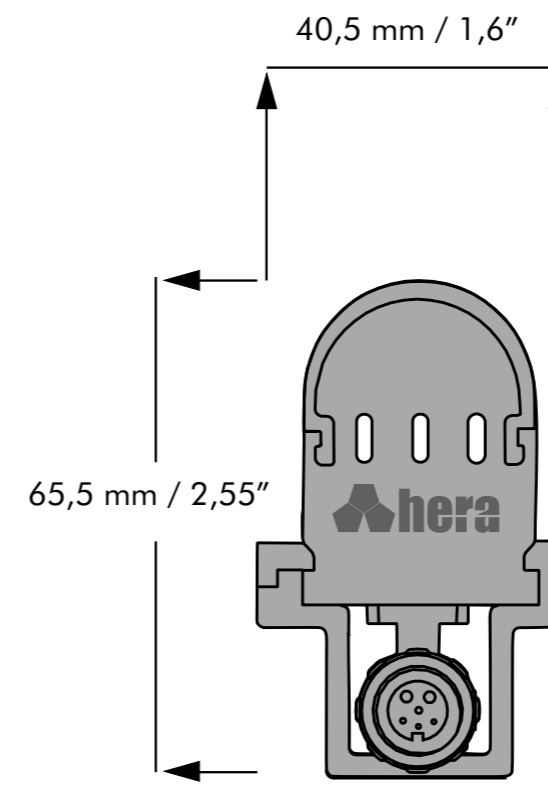
With its body and connector structure, no gap is allowed between fixtures and this enhances the linear uniform non-ending appearance.



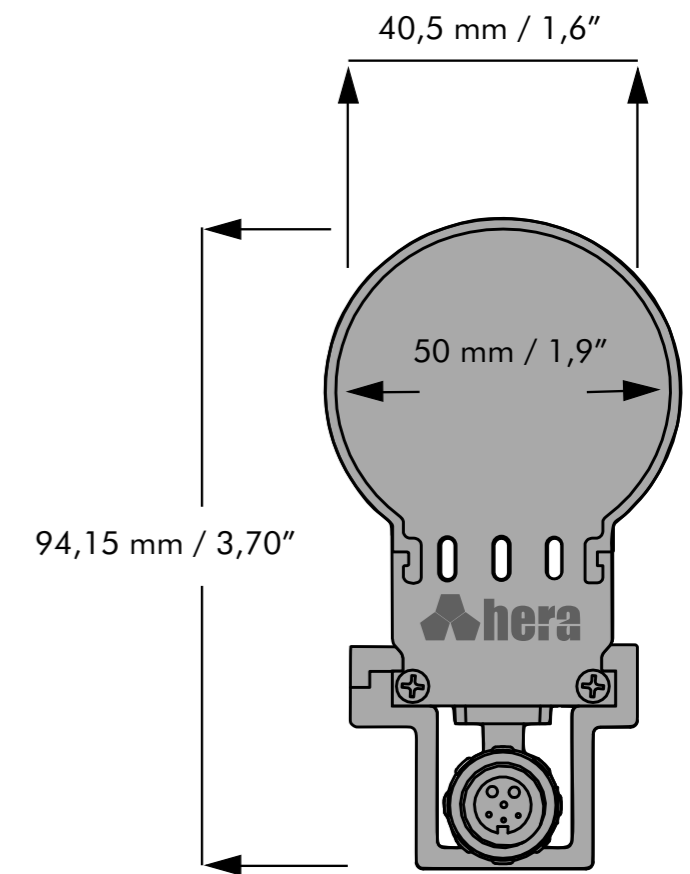
**Direct View**



**Flat Diffused**



**Radius Diffused**

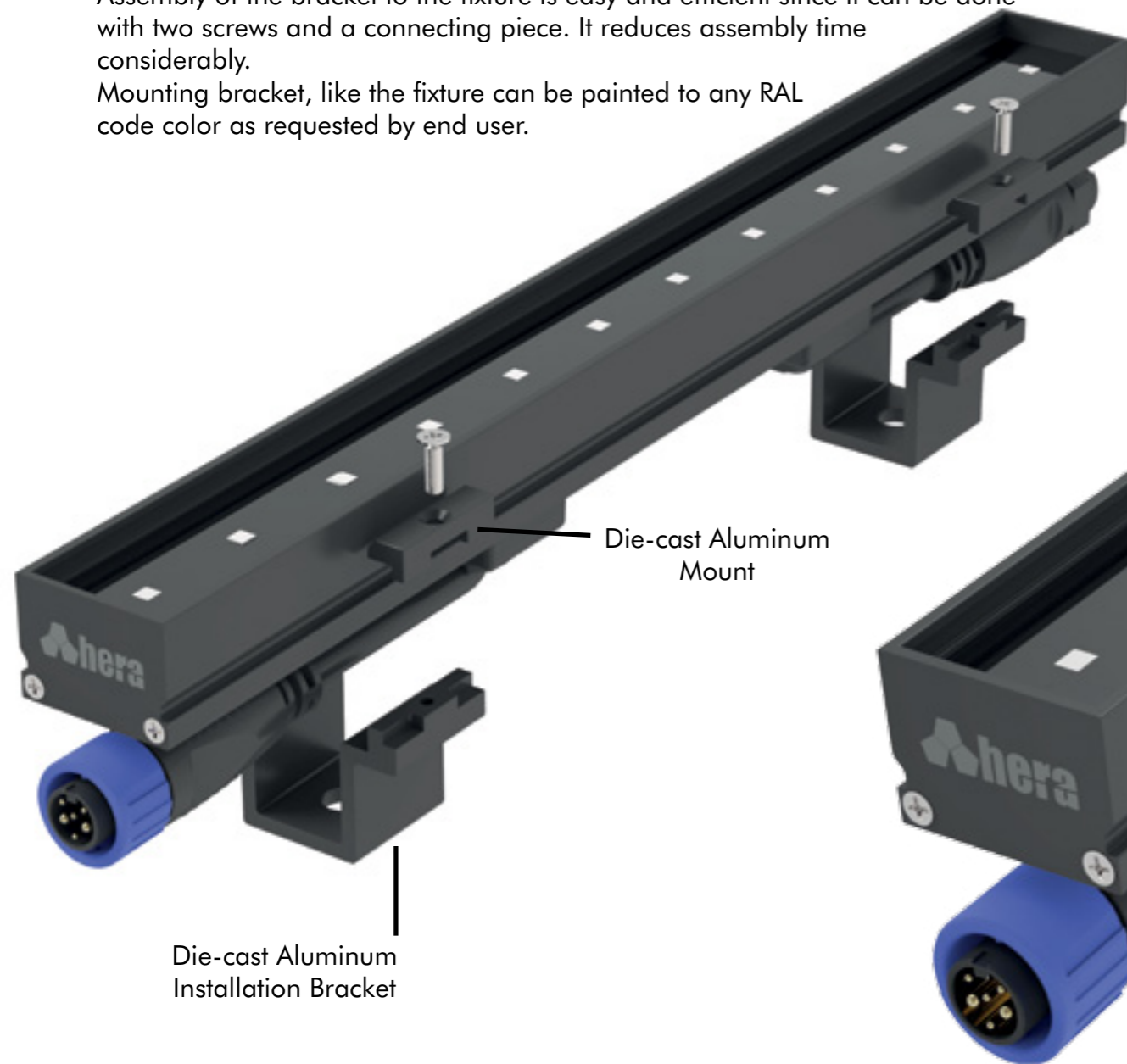


**Round Diffused**

# Multiple Assembly Options

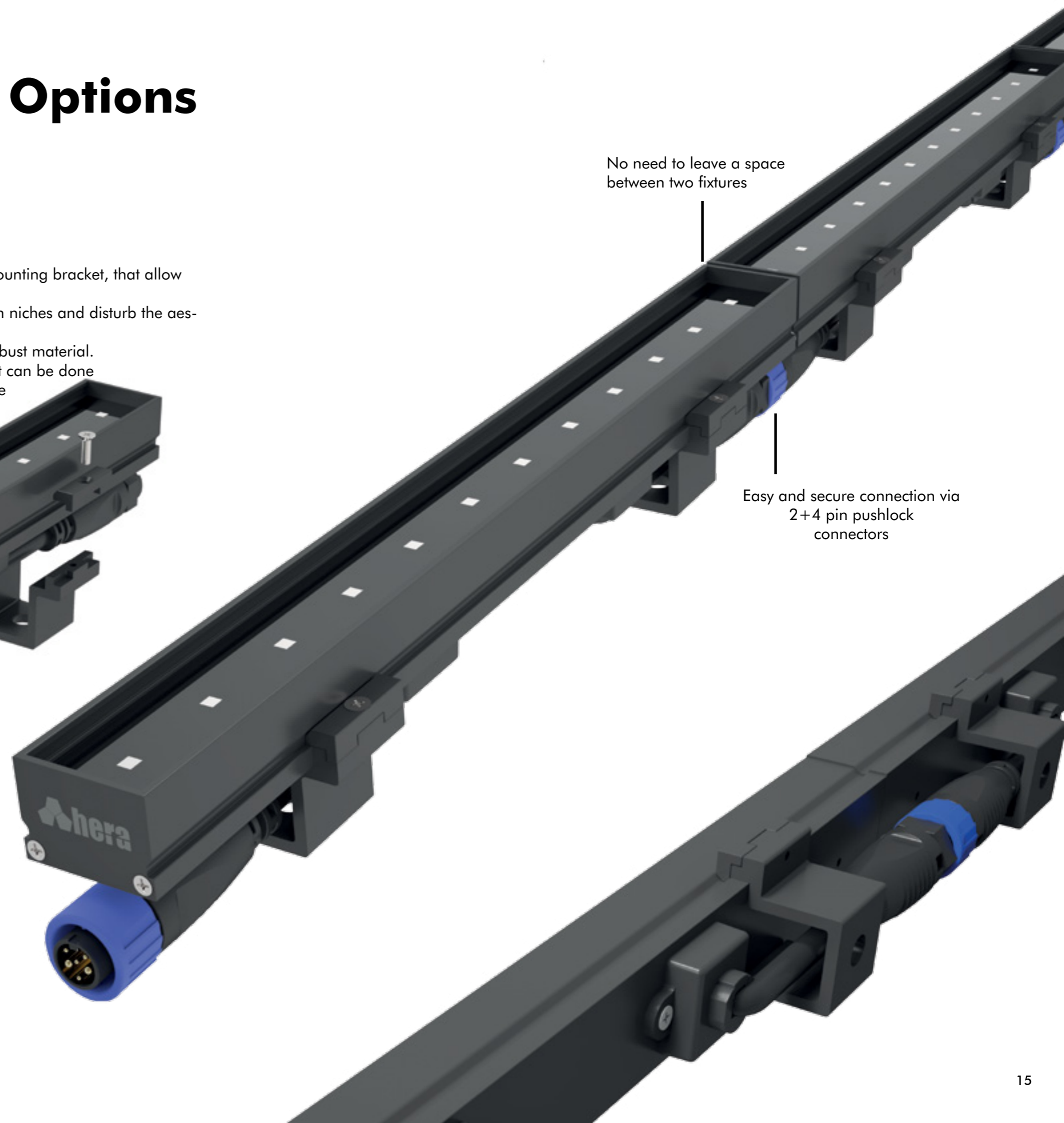
## Die-Cast Aluminum Installation Bracket

You can form a continuous linear appearance with Sword®'s mounting bracket, that allow easy assembly to all linear surfaces. Since the bracket is only 50 mm, it won't cover up much space in niches and disturb the aestheticity of the mounting area. It won't form a burden to the mounting space with its light yet robust material. Assembly of the bracket to the fixture is easy and efficient since it can be done with two screws and a connecting piece. It reduces assembly time considerably. Mounting bracket, like the fixture can be painted to any RAL code color as requested by end user.



No need to leave a space between two fixtures

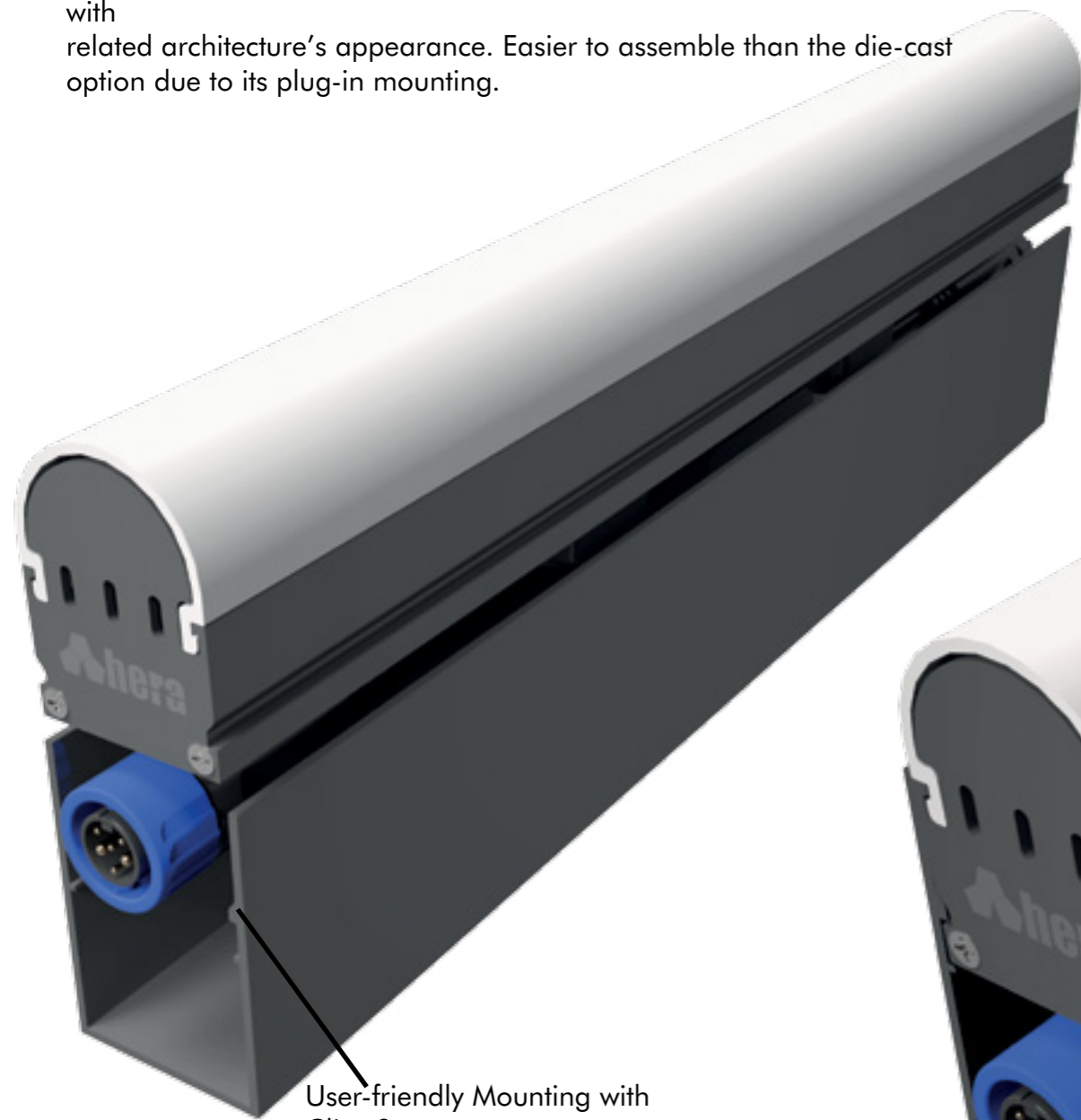
Easy and secure connection via 2+4 pin pushlock connectors



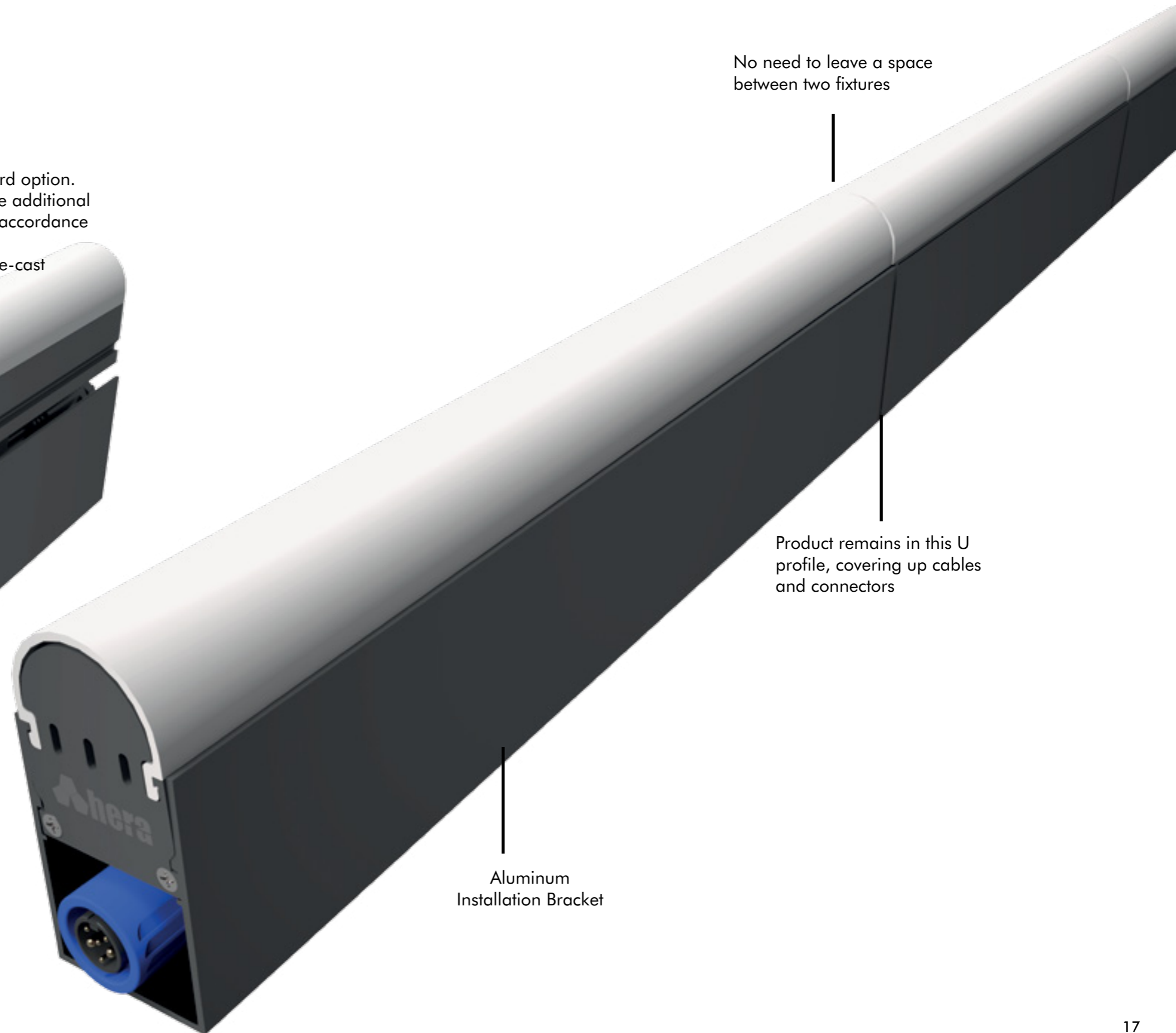
# Multiple Assembly Options

## Locked Profile Installation Bracket

U profiles have to be ordered separately since it is not the standard option. These profiles are used to hide cabling between fixtures and some additional details like connectors. It is also used to make custom touches in accordance with related architecture's appearance. Easier to assemble than the die-cast option due to its plug-in mounting.



User-friendly Mounting with Clips System



Aluminum Installation Bracket

No need to leave a space between two fixtures

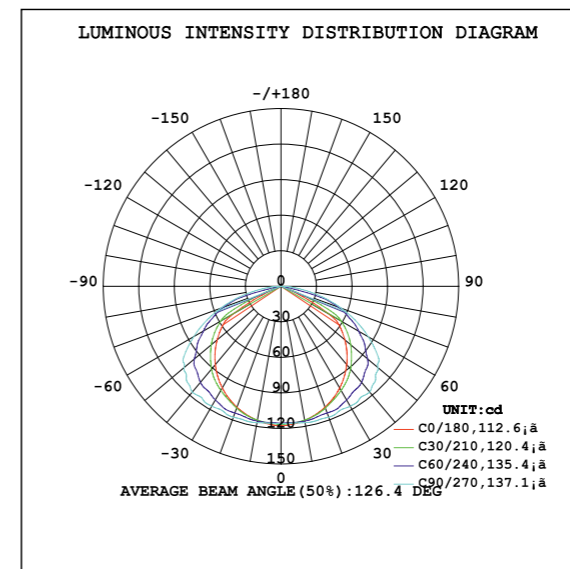
Product remains in this U profile, covering up cables and connectors

# The Language of Light Photometrics

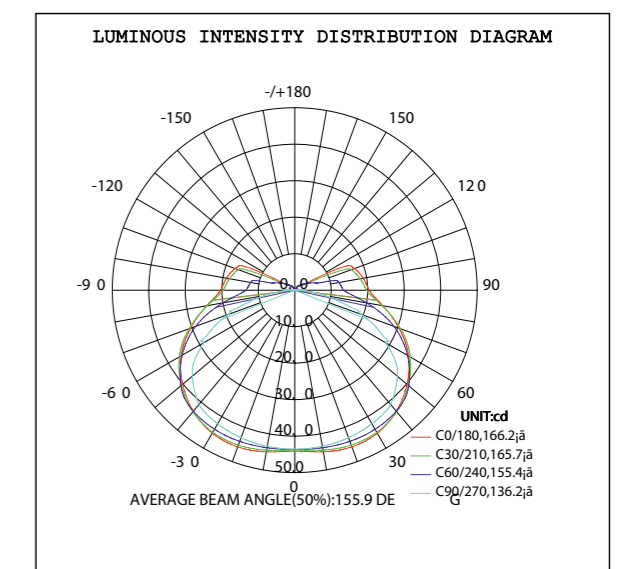
Sword® fixture photometric measurements were all done in 3rd party, accredited test laboratories.

## SWORD® RGB SERIES **FULL ON**

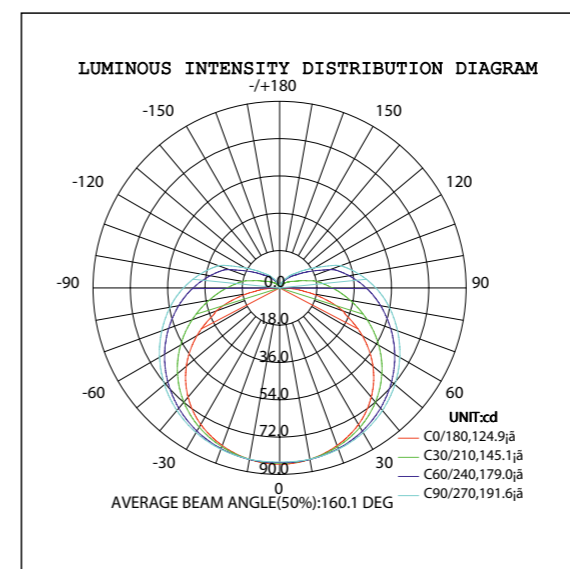
**Direct View**



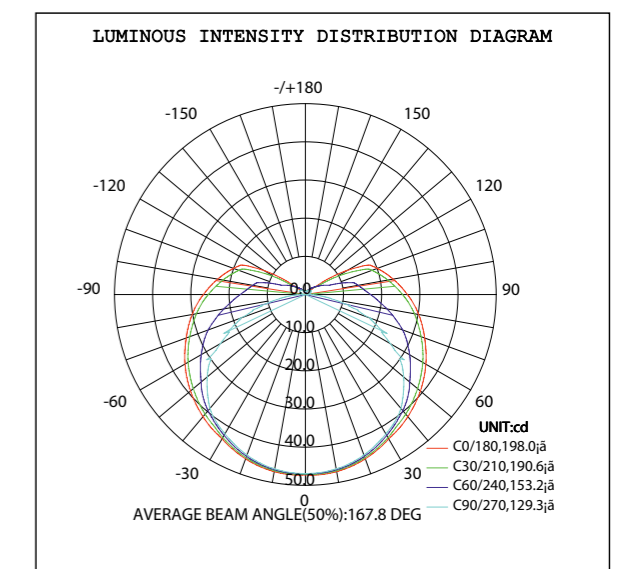
**Flat Diffused**



**Radius Diffused**



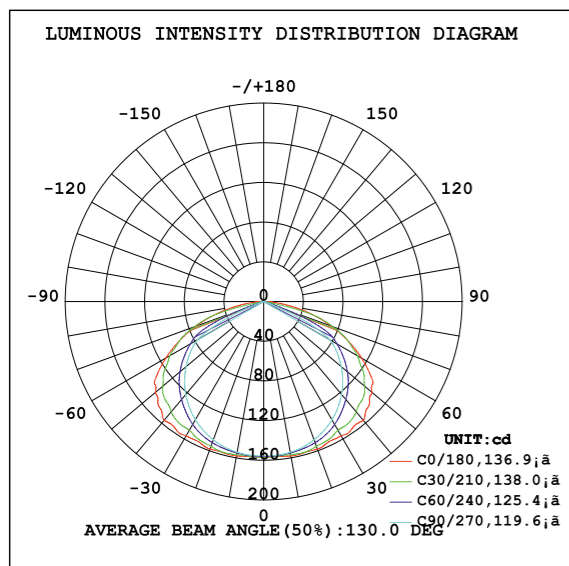
**Round Diffused**



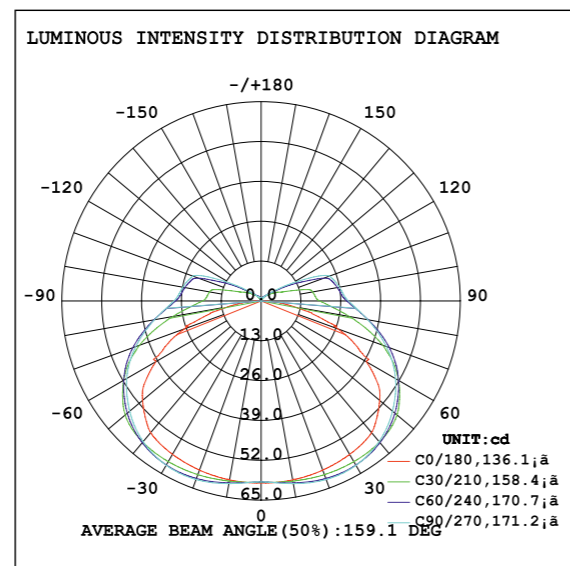
# SWORD® RGBW SERIES FULL ON

# SWORD® DW SERIES FULL ON

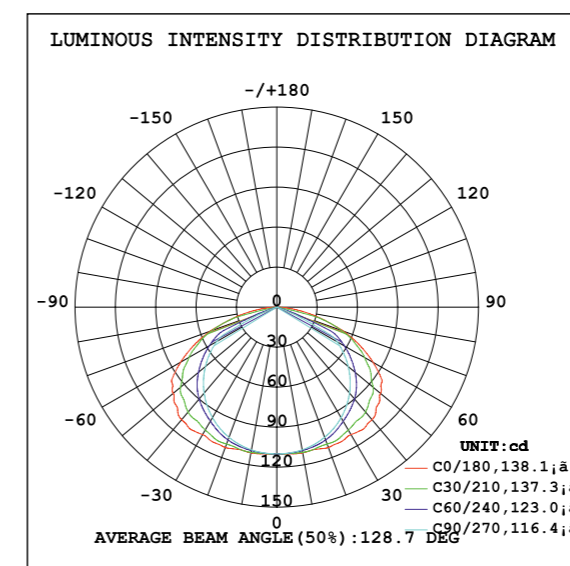
**Direct View**



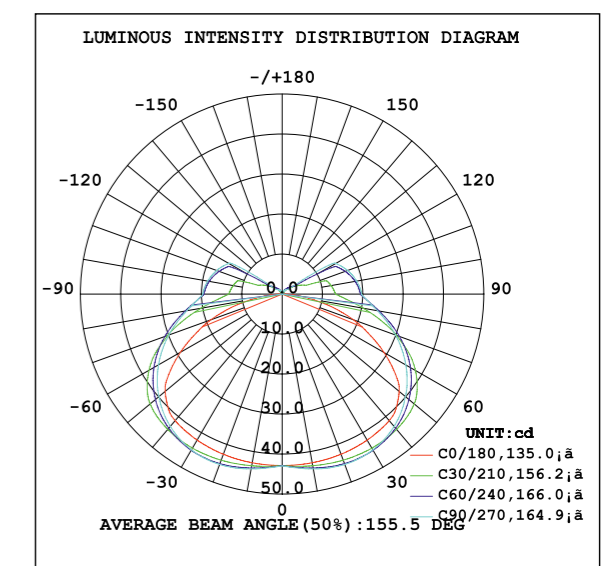
**Flat Diffused**



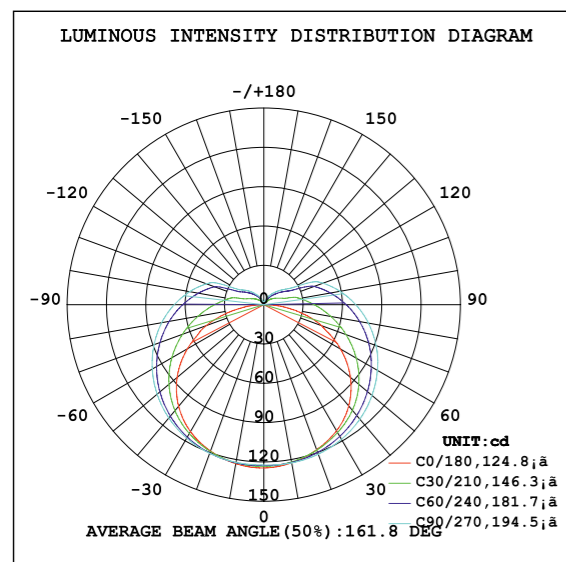
**Direct View**



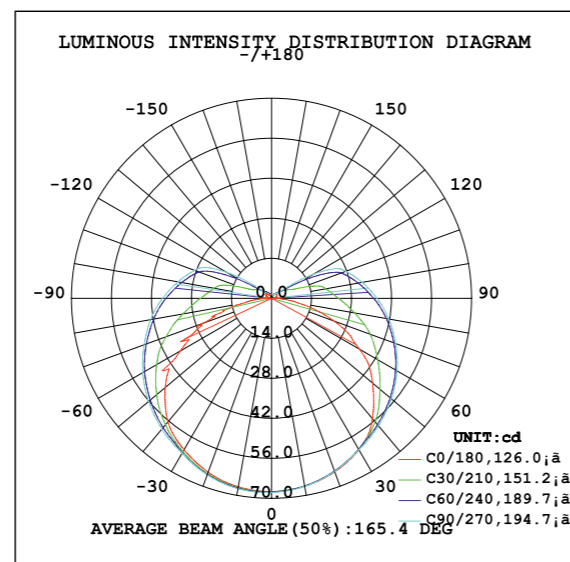
**Flat Diffused**



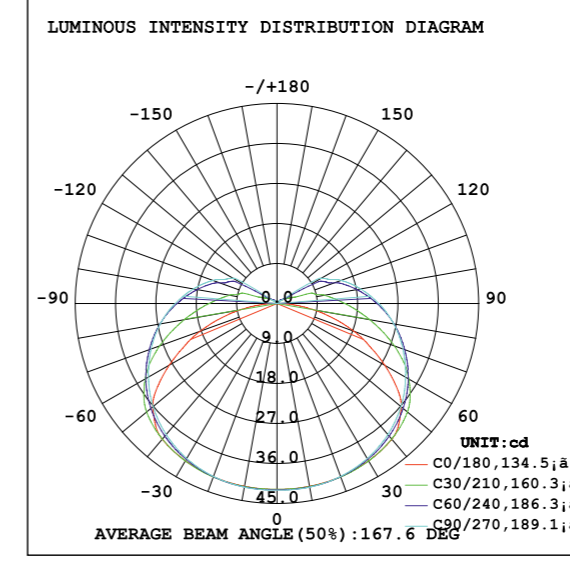
**Radius Diffused**



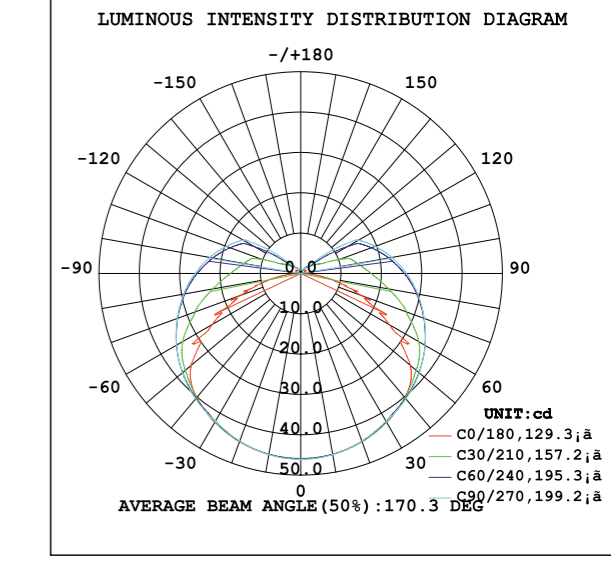
**Round Diffused**

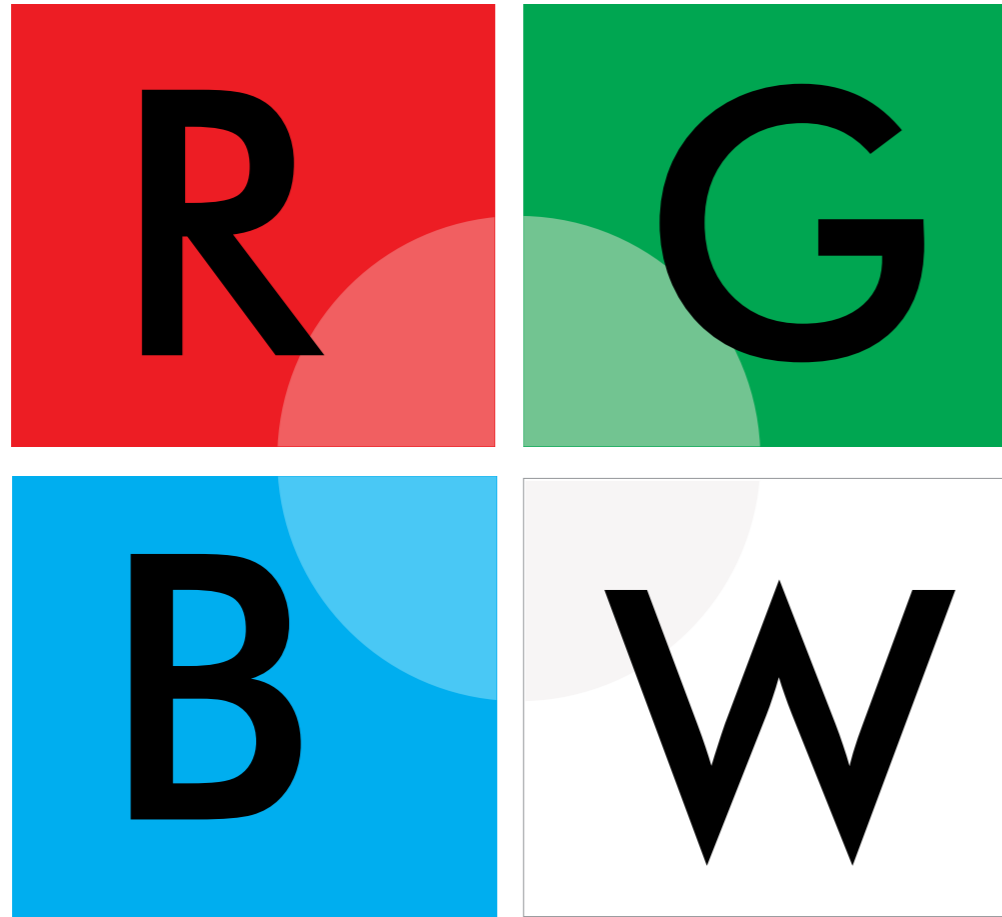


**Radius Diffused**



**Round Diffused**

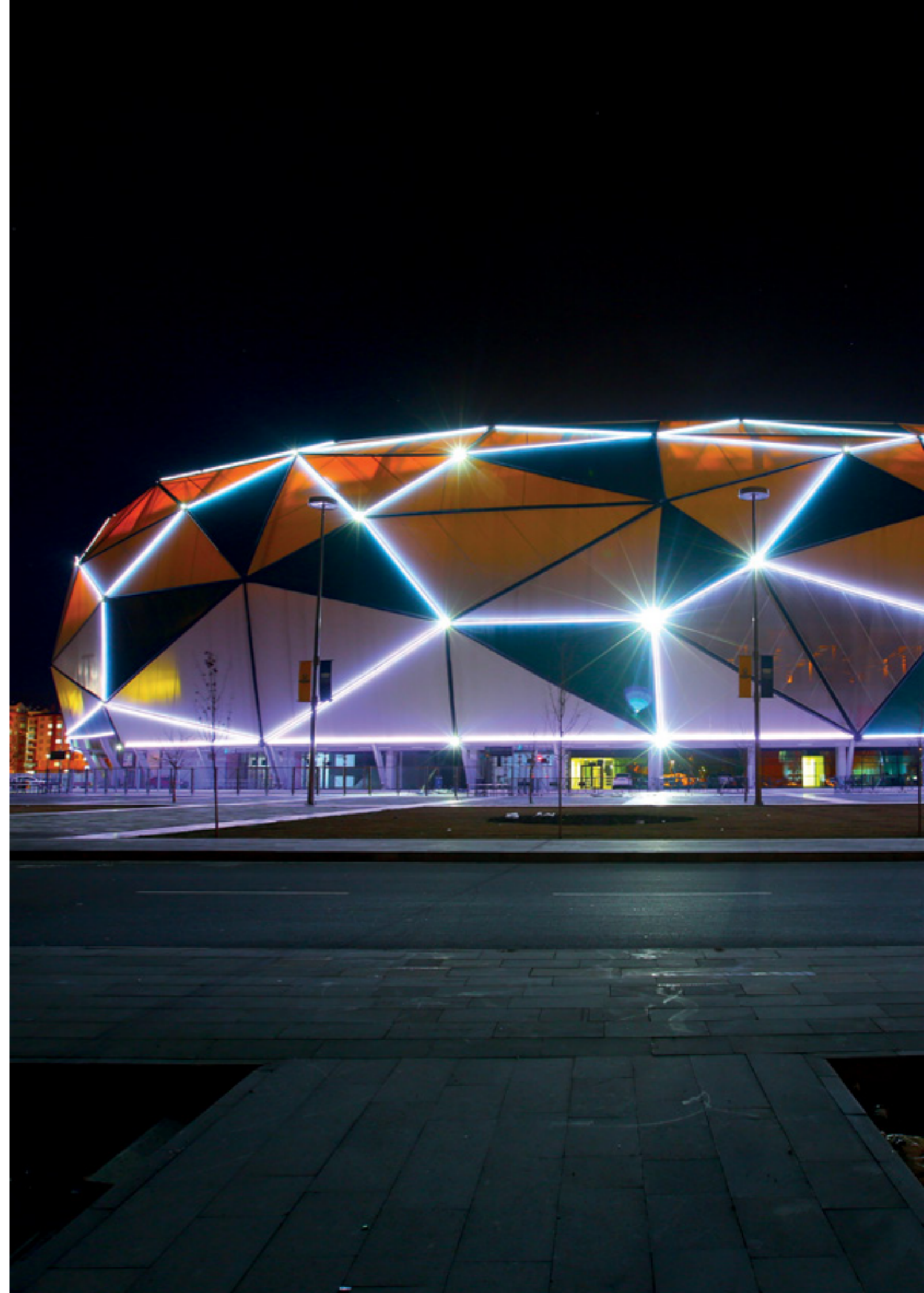




## Our Auto White Technology in **Sword<sup>®</sup> RGBW**

Autowhite algorithm enable auto control of the white LED by 3-channel RGB. With RGB+smart white algorithm, the 3 channel system controls 4 colors per pixel. This allows RGBW usage with less DMX universes and optimises the cost of the project with same color output and improved brightness. Brightness of the White is calculated with an algorithm, from brightness of R, G and Blue. This increases brightness of Red, Green and Blue as well as the White.

This simple yet useful algorithm combined with our cutting-edge facade lighting solutions, turn your building into a real landmark. We can illuminate architectural highlights and even design fascinating color and light effects on exterior facades.





# Sword® RGB Series

## Specification

	Direct View	Radius Diffused	Round Diffused	Flat Diffused	
<b>Output</b>					
Light Source:	40pcs/m High intensity 3 in 1 Chip RGB LEDs				
LED Pitch:	25mm				
Lumen Maintenance:	60.000 > hours L70 @ 50° C (full output)				
Color Range:	16.7 Million additive RGB colors				
Beam Angle:	130°	160°	165°	160°	
Luminous Flux:	409 lm/m	298 lm/m	286 lm/m	274 lm/m	
Luminous Intensity:	131 cd/m	57 cd/m	53 cd/m	51 cd/m	
Efficacy (lm/W):	24 lm/W	18 lm/W	17 lm/W	16 lm/W	
<i>*Photometric performance is measured in compliance with IESNA LM 79-08</i>					
<b>Control &amp; Programming</b>					
Pixel Pitch:	Pixel pitch is configurable via RDM, max 40pixel/m				
Color Resolution:	3 x 14-bit (Gamma correction)				
Addressing:	RDM (Group of Remote Addressable Systems)				
Monitoring:	Voltage Monitoring, Temperature Monitoring, Status Monitoring, Power Cycle Monitoring, Lumen-Maintenance Life Monitoring				
PWM Frequency:	1,600Hz flicker free dimming to 0.1%				
DMX Compliance:	USITT DMX512-1990				
RDM Compliance:	ANSI/ESTA E1.20-2010				
<b>Electrical</b>					
Operating Voltage:	48VDC				
Power Consumption:	300mm 7W / 600mm 13W / 900mm 19W / 1200mm 25W / 1500mm 31W				
	21,1 W/m Maximum at full output, steady state				
Maximum in Chain:	Max 16 meters or 32 pieces (varies by selected dmx personality)				
Connections:	Push Lock Type 2+4 Pin Waterproof Connector				
<b>Physical</b>					
Housing:	Extruded Aluminium				
Front Material:	Extruded Polycarbonate UV and impact resistant opal diffuser				
End Cap Material:	Aluminium				
Installation Brackets:	Die-Cast Aluminium				
Hardware:	Stainless Steel				
Gasket:	Silicon				
Surface Finish:	RAL 9005 Electrostatically polyester powder coat (standard) or Custom Any RAL (optional)				
<b>Measurements:</b>					
Weight:	300mm 600mm 900mm 1200mm 1500mm	0,400kg (0,81lb) 0,830kg (1,82lb) 1,26kg (2,77lb) 1,60kg (3,52lb) 2,00kg (4,40lb)	0,420kg (0,92lb) 0,850kg (1,87lb) 1,28kg (2,82lb) 1,62kg (3,51lb) 2,20kg (4,85lb)	0,440kg (0,94lb) 0,880kg (1,94lb) 1,30kg (2,86lb) 1,64kg (3,41lb) 2,40kg (5,20lb)	0,460kg (1,01lb) 0,900kg (2,18lb) 1,36kg (2,99lb) 1,66kg (3,43lb) 2,60kg (5,73lb)
Dimensions: (H x W x D)	300mm 600mm 900mm 1200mm 1500mm	40,5x303x45,5 mm (1,6x11,8x1,8 in) 40,5x603x45,5 mm (1,6x23,6x1,8 in) 40,5x903x45,5 mm (1,6x35,4x1,8 in) 40,5x1203x45,5 mm (1,6x47,2x1,8 in) 40,5x1503x45,5 mm (1,6x59x1,8 in)	40,5x303x65,5 mm (1,6x11,8x2,55 in) 40,5x603x65,5 mm (1,6x23,6x2,55 in) 40,5x903x65,5 mm (1,6x35,4x2,55 in) 40,5x1203x65,5 mm (1,6x47,2x2,55 in) 40,5x1503x65,5 mm (1,6x59x2,55 in)	40,5x303x94,15 mm (1,6x11,8x3,72 in) 40,5x603x94,15 mm (1,6x23,6x3,72 in) 40,5x903x94,15 mm (1,6x35,4x3,72 in) 40,5x1203x94,15 mm (1,6x47,2x3,72 in) 40,5x1503x94,15 mm (1,6x59x3,72 in)	40,5x303x65,5 mm (1,6x11,8x2,55 in) 40,5x603x65,5 mm (1,6x23,6x2,55 in) 40,5x903x65,5 mm (1,6x35,4x2,55 in) 40,5x1203x65,5 mm (1,6x47,2x2,55 in) 40,5x1503x65,5 mm (1,6x59x2,55 in)
<b>Environmental</b>					
Storage Temperature:	-40°C - 85°C (-40°F - 185°F)				
Start-up Temperature:	-25°C - 50°C (-13°F - 122°F)				
Operating Temperature:	-40°C - 50°C (-40°F - 122°F)				
Thermal Protection:	Automatic overtemperature protection				
Cooling:	Cooling by free air convection				
Vibration Resistance:	Complies with ANSI C136.31-2010				
Corrosion Resistance:	Complies with ASTM B117 standard				
Ingress Protection Rating:	IP 67				
Impact Resistance Rating:	I K10				
Humidity (max.):	0 to 98%, non-condensing				

# Sword® RGBW Series

## Specification

	Direct View	Radius Diffused	Round Diffused	Flat Diffused	
<b>Output</b>					
Light Source:	40pcs/m High intensity 4 in 1 Chip RGBW LEDs				
LED Pitch:	25mm				
Lumen Maintenance:	60.000 > hours L70 @ 50° C (full output)				
Color Range:	16.7 Million additive RGB colors, white CCT 6500K				
Ra(CRI):	White 72CRI, RGBW Full on 77CRI				
Beam Angle:	130°	160°	165°	160°	
Luminous Flux:	578 lm/m	437 lm/m	407 lm/m	387 lm/m	
Luminous Intensity:	176 cd/m	83 cd/m	76 cd/m	69 cd/m	
Efficacy (lm/W):	25 lm/W	19 lm/W	18 lm/W	17 lm/W	
<i>*Photometric performance is measured in compliance with IESNA LM 79-08</i>					
<b>Control &amp; Programming</b>					
Pixel Pitch:	Pixel pitch is configurable via RDM, max 40pixel/m				
Color Resolution:	4 x 14-bit (Gamma correction)				
Auto White:	Algorithms enable auto control of white LED by 3-channel RGB values				
Addressing:	RDM (Group of Remote Addressable Systems)				
Monitoring:	Voltage Monitoring, Temperature Monitoring, Status Monitoring, Power Cycle Monitoring, Lumen-Maintenance Life Monitoring				
PWM Frequency:	1,600Hz flicker free dimming to 0.1%				
DMX Compliance:	USITT DMX512-1990				
RDM Compliance:	4ANSI/ESTA E1.20-2010				
<b>Electrical</b>					
Operating Voltage:	48VDC				
Power Consumption:	300mm 8,5W / 600mm 16,5W / 900mm 24W / 1200mm 32W / 1500mm 40,5W				
	26,7 W/m Maximum at full output, steady state				
Maximum in Chain:	Max 11 meters or 32 pieces (varies by selected dmx personality)				
Connections:	Push Lock Type 2+4 Pin Waterproof Connector				
<b>Physical</b>					
Housing:	Extruded Aluminium				
Front Material:	Extruded Polycarbonate UV and impact resistant opal diffuser				
End Cap Material:	Aluminium				
Installation Brackets:	Die-Cast Aluminium				
Hardware:	Stainless Steel				
Gasket:	Silicon				
Surface Finish:	RAL 9005 Electrostatically polyester powder coat (standard) or Custom Any RAL (optional)				
<b>Measurements:</b>					
Weight:	300mm 600mm 900mm 1200mm 1500mm	0,400kg (0,81lb) 0,830kg (1,82lb) 1,26kg (2,77lb) 1,60kg (3,52lb) 2,00kg (4,40lb)	0,420kg (0,92lb) 0,850kg (1,87lb) 1,28kg (2,82lb) 1,62kg (3,51lb) 2,20kg (4,85lb)	0,440kg (0,94lb) 0,880kg (1,94lb) 1,30kg (2,86lb) 1,64kg (3,41lb) 2,40kg (5,20lb)	0,460kg (1,01lb) 0,900kg (2,18lb) 1,36kg (2,99lb) 1,66kg (3,43lb) 2,60kg (5,73lb)
Dimensions: (H x W x D)	300mm 600mm 900mm 1200mm 1500mm	40,5x303x45,5 mm (1,6x11,8x1,8 in) 40,5x603x45,5 mm (1,6x23,6x1,8 in) 40,5x903x45,5 mm (1,6x35,4x1,8 in) 40,5x1203x45,5 mm (1,6x47,2x1,8 in) 40,5x1503x45,5 mm (1,6x59x1,8 in)	40,5x303x65,5 mm (1,6x11,8x2,55 in) 40,5x603x65,5 mm (1,6x23,6x2,55 in) 40,5x903x65,5 mm (1,6x35,4x2,55 in) 40,5x1203x65,5 mm (1,6x47,2x2,55 in) 40,5x1503x65,5 mm (1,6x59x2,55 in)	40,5x303x94,15 mm (1,6x11,8x3,72 in) 40,5x603x94,15 mm (1,6x23,6x3,72 in) 40,5x903x94,15 mm (1,6x35,4x3,72 in) 40,5x1203x94,15 mm (1,6x47,2x3,72 in) 40,5x1503x94,15 mm (1,6x59x3,72 in)	40,5x303x65,5 mm (1,6x11,8x2,55 in) 40,5x603x65,5 mm (1,6x23,6x2,55 in) 40,5x903x65,5 mm (1,6x35,4x2,55 in) 40,5x1203x65,5 mm (1,6x47,2x2,55 in) 40,5x1503x65,5 mm (1,6x59x2,55 in)
<b>Environmental</b>					
Storage Temperature:	-40°C - 85°C (-40°F - 185°F)				
Start-up Temperature:	-25°C - 50°C (-13°F - 122°F)				
Operating Temperature:	-40°C - 50°C (-40°F - 122°F)				
Thermal Protection:	Automatic over temperature protection				
Cooling:	Cooling by free air convection				
Vibration Resistance:	Complies with ANSI C136.31-2010				
Corrosion Resistance:	Complies with ASTM B117 standard				
Ingress Protection Rating:	IP 67				
Impact Resistance Rating:	I K10				
Humidity (max.):	0 to 98%, non-condensing				

# Sword® DW Series

## Specification

	Direct View	Radius Diffused	Round Diffused	Flat Diffused	
<b>Output</b>					
Light Source:	Color temperatures ranging from 2700 K to 6500 K				
LED Pitch:	25mm				
Lumen Maintenance:	60.000 > hours L70 @ 50° C (full output)				
	Color Range: Color temperatures ranging from 2700 K to 6500 K				
Ra(CRI):	Warm White 77CRI, Cool White 75CRI, DW Full on 79CRI				
Beam Angle:	130°	160°	165°	160°	
Luminous Flux:	402 lm/m	262 lm/m	289 lm/m	282 lm/m	
Luminous Intensity:	125 cd/m	47 cd/m	52 cd/m	51 cd/m	
Efficacy (lm/W):	32 lm/W	21 lm/W	23 lm/W	22 lm/W	
<i>*Photometric performance is measured in compliance with IESNA LM 79-08</i>					
<b>Control &amp; Programming</b>					
Pixel Pitch:	Pixel pitch is configurable via RDM, max 40pixel/m				
Color Resolution:	2 x 14-bit (Gamma correction)				
Addressing:	RDM (Group of Remote Addressable Systems)				
Monitoring:	Voltage Monitoring, Temperature Monitoring, Status Monitoring, Power Cycle Monitoring, Lumen-Maintenance Life Monitoring				
PWM Frequency:	1,600Hz flicker free dimming to 0.1%				
DMX Compliance:	USITT DMX512-1990				
RDM Compliance:	ANSI/ESTA E1.20-2010				
<b>Electrical</b>					
Operating Voltage:	48VDC				
Power Consumption:	300mm 4,5W / 600mm 9W / 900mm 13,5W / 1200mm 18W / 1500mm 22W				
	15 W/m Maximum at full output, steady state				
Maximum in Chain:	Max 20 meters or 32 pieces (varies by selected dmx personality)				
Connections:	Push Lock Type 2+4 Pin Waterproof Connector				
<b>Physical</b>					
Housing:	Extruded Aluminium				
Front Material:	Extruded Polycarbonate UV and impact resistant opal diffuser				
End Cap Material:	Aluminium				
Installation Brackets:	Die-Cast Aluminium				
Hardware:	Stainless Steel				
Gasket:	Silicone				
Surface Finish:	RAL 9005 Electrostatically polyester powder coat (standard) or Custom Any RAL (optional)				
<b>Measurements:</b>					
Weight:	300mm 0,400kg (0,81lb)	600mm 0,830kg (1,82lb)	900mm 1,26kg (2,77lb)	1200mm 1,60kg (3,52lb)	1500mm 2,00kg (4,40lb)
	0,420kg (0,92lb)	0,850kg (1,87lb)	1,28kg (2,82lb)	1,62kg (3,55lb)	2,20kg (4,85lb)
	0,440kg (0,94lb)	0,880kg (1,94lb)	1,30kg (2,86lb)	1,64kg (3,41lb)	2,40kg (5,20lb)
	0,460kg (1,01lb)	0,900kg (2,18lb)	1,36kg (2,99lb)	1,66kg (3,43lb)	2,60kg (5,73lb)
Dimensions: (H x W x D)	300mm 40,5x303x45,5 mm (1,6x11,8x1,8 in)	600mm 40,5x603x45,5 mm (1,6x23,6x1,8 in)	900mm 40,5x903x45,5 mm (1,6x35,4x1,8 in)	1200mm 40,5x1203x45,5 mm (1,6x47,2x1,8 in)	1500mm 40,5x1503x45,5 mm (1,6x59x1,8 in)
	40,5x303x65,5 mm (1,6x11,8x2,55 in)	40,5x603x65,5 mm (1,6x23,6x2,55 in)	40,5x903x65,5 mm (1,6x35,4x2,55 in)	40,5x1203x65,5 mm (1,6x47,2x2,55 in)	40,5x1503x65,5 mm (1,6x59x2,55 in)
	40,5x300x94,15 mm (1,6x11,8x3,72 in)	40,5x600x94,15 mm (1,6x23,6x3,72 in)	40,5x900x94,15 mm (1,6x35,4x3,72 in)	40,5x1200x94,15 mm (1,6x47,2x3,72 in)	40,5x1500x94,15 mm (1,6x59x3,72 in)
	40,5x303x65,5 mm (1,6x11,8x2,55 in)	40,5x600x65,5 mm (1,6x23,6x2,55 in)	40,5x903x65,5 mm (1,6x35,4x2,55 in)	40,5x1203x65,5 mm (1,6x47,2x2,55 in)	40,5x1503x65,5 mm (1,6x59x2,55 in)
<b>Environmental</b>					
Storage Temperature:	-40°C - 85°C (-40°F - 185°F)				
Start-up Temperature:	-25°C - 50°C (-13°F - 122°F)				
Operating Temperature:	-40°C - 50°C (-40°F - 122°F)				
Thermal Protection:	Automatic over temperature protection				
Cooling:	Cooling by free air convection				
Vibration Resistance:	Complies with ANSI C136.31-2010				
Corrosion Resistance:	Complies with ASTM B117 standard				
Ingress Protection Rating:	IP 67				
Impact Resistance Rating:	I K10				
Humidity (max.):	0 to 98%, non-condensing				



Light  
is  
Life

SOHO NIGHT CLUP  
Belek / Antalya / Turkey

# Sword® RGB Series

## Fixtures

### Sword RGB Series



P01058085 Sword® RGB 300mm Direct View  
 P01059085 Sword® RGB 600mm Direct View  
 P01060085 Sword® RGB 900mm Direct View  
 P01061085 Sword® RGB 1200mm Direct View  
 P01062085 Sword® RGB 1500mm Direct View



P01094085 Sword® RGB 300mm Flat Diffused  
 P01095085 Sword® RGB 600mm Flat Diffused  
 P01096085 Sword® RGB 900mm Flat Diffused  
 P01097085 Sword® RGB 1200mm Flat Diffused  
 P01098085 Sword® RGB 1500mm Flat Diffused



P01066085 Sword® RGB 300mm Radius Diffused  
 P01067085 Sword® RGB 600mm Radius Diffused  
 P01068085 Sword® RGB 900mm Radius Diffused  
 P01069085 Sword® RGB 1200mm Radius Diffused  
 P01070085 Sword® RGB 1500mm Radius Diffused



P01078085 Sword® RGB 300mm Round Diffused  
 P01079085 Sword® RGB 600mm Round Diffused  
 P01080085 Sword® RGB 900mm Round Diffused  
 P01081085 Sword® RGB 1200mm Round Diffused  
 P01082085 Sword® RGB 1500mm Round Diffused

# Sword® RGBW Series

## Fixtures

### Sword RGBW Series



P01058105 Sword® RGBW 300mm Direct View  
 P01059105 Sword® RGBW 600mm Direct View  
 P01060105 Sword® RGBW 900mm Direct View  
 P01061105 Sword® RGBW 1200mm Direct View  
 P01062105 Sword® RGBW 1500mm Direct View



P01094105 Sword® RGBW 300mm Flat Diffused  
 P01095105 Sword® RGBW 600mm Flat Diffused  
 P01096105 Sword® RGBW 900mm Flat Diffused  
 P01097105 Sword® RGBW 1200mm Flat Diffused  
 P01098105 Sword® RGBW 1500mm Flat Diffused



P01066105 Sword® RGBW 300mm Radius Diffused  
 P01067105 Sword® RGBW 600mm Radius Diffused  
 P01068105 Sword® RGBW 900mm Radius Diffused  
 P01069105 Sword® RGBW 1200mm Radius Diffused  
 P01070105 Sword® RGBW 1500mm Radius Diffused



P01078105 Sword® RGBW 300mm Round Diffused  
 P01079105 Sword® RGBW 600mm Round Diffused  
 P01080105 Sword® RGBW 900mm Round Diffused  
 P01081105 Sword® RGBW 1200mm Round Diffused  
 P01082105 Sword® RGBW 1500mm Round Diffused

# Sword® DW Series

## Fixtures



P01058125 Sword® DW 300mm Direct View  
P01059125 Sword® DW 600mm Direct View  
P01060125 Sword® DW 900mm Direct View  
P01061125 Sword® DW 1200mm Direct View  
P01062125 Sword® DW 1500mm Direct View



P01094125 Sword® DW 300mm Flat Diffused  
P01095125 Sword® DW 600mm Flat Diffused  
P01096125 Sword® DW 900mm Flat Diffused  
P01097125 Sword® DW 1200mm Flat Diffused  
P01098125 Sword® DW 1500mm Flat Diffused



P01066125 Sword® DW 300mm Radius Diffused  
P01067125 Sword® DW 600mm Radius Diffused  
P01068125 Sword® DW 900mm Radius Diffused  
P01069125 Sword® DW 1200mm Radius Diffused  
P01070125 Sword® DW 1500mm Radius Diffused



P01078125 Sword® DW 300mm Round Diffused  
P01079125 Sword® DW 600mm Round Diffused  
P01080125 Sword® DW 900mm Round Diffused  
P01081125 Sword® DW 1200mm Round Diffused  
P01082125 Sword® DW 1500mm Round Diffused

# Sword® Series

## Accessories, Cables, Power/Data Supplies

### Cables



P20202-0.5 Push Lock Type 2+4 Pin 0.5 M Extension Cable  
P20202-0.75 Push Lock Type 2+4 Pin 0.75M Extension Cable  
P20202-1 Push Lock Type 2+4 Pin 1M Extension Cable  
P20202-1.5 Push Lock Type 2+4 Pin 1.5M Extension Cable  
P20202-2 Push Lock Type 2+4 Pin 2M Extension Cable  
P20202-2.5 Push Lock Type 2+4 Pin 2.5M Extension Cable  
P20202-3 Push Lock Type 2+4 Pin 3M Extension Cable  
P20202-3.5 Push Lock Type 2+4 Pin 3.5M Extension Cable  
P20202-4 Push Lock Type 2+4 Pin 4M Extension Cable  
P20202-5 Push Lock Type 2+4 Pin 5M Extension Cable  
P20202-7.5 Push Lock Type 2+4 Pin 7.5M Extension Cable  
P20202-10 Push Lock Type 2+4 Pin 10M Extension Cable  
P20202-15 Push Lock Type 2+4 Pin 15M Extension Cable  
P20202-20 Push Lock Type 2+4 Pin 20M Extension Cable

### Power/Data Supplies

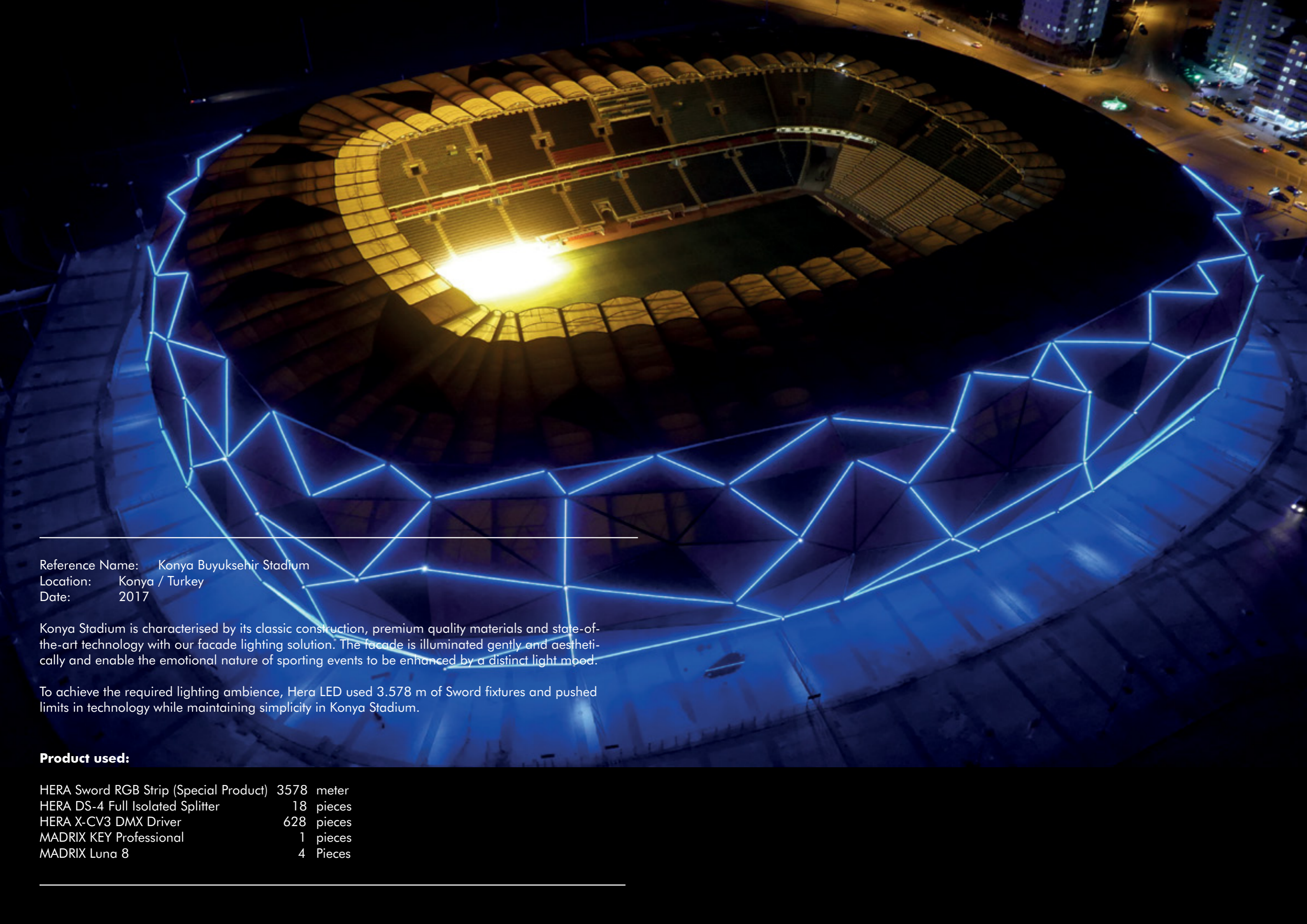


P08002 Power Pack 320 320W 2 Outputs Power Supply  
P08003 Power Pack 500 500W 2 Outputs Power Supply  
P08004 Power Pack 1000 1000W 8 Outputs Power Supply  
P08013 Power Pack 2000 2000W 8 Outputs Power Supply

### Accessories



P20050 300mm Locked Profile RAL 9005  
P20051 600mm Locked Profile RAL 9005  
P20052 900mm Locked Profile RAL 9005  
P20053 1200mm Locked Profile RAL 9005  
P20054 1500mm Locked Profile RAL 9005  
P20203 Push Lock Type 2+4 Pin Female Plug Cap



---

Reference Name: Konya Buyuksehir Stadium  
Location: Konya / Turkey  
Date: 2017

Konya Stadium is characterised by its classic construction, premium quality materials and state-of-the-art technology with our facade lighting solution. The facade is illuminated gently and aesthetically and enable the emotional nature of sporting events to be enhanced by a distinct light mood.

To achieve the required lighting ambience, Hera LED used 3.578 m of Sword fixtures and pushed limits in technology while maintaining simplicity in Konya Stadium.

**Product used:**

HERA Sword RGB Strip (Special Product)	3578	meter
HERA DS-4 Full Isolated Splitter	18	pieces
HERA X-CV3 DMX Driver	628	pieces
MADRIX KEY Professional	1	pieces
MADRIX Luna 8	4	Pieces

---



Reference Name: Bosphorus Hotel  
Location: Alanya / Turkey  
Date: 2016

Bosphorus Hotel comes with all its glitter with a facade lighting concept inspired by luminous waves of the Bosphorus. This hotel accomplishes to attract attention of both local and foreign tourists with its outdoor lighting, highlighting its texture and enhancing its surfaces. Our fixtures carry all colors of the nature and charms hotel guests, making their stay a memorable experience.

**Products used:**

HERA Sword® 100x4 RGB	2700	meter
MADRIX Luna 16	11	pieces
MADRIX Luna 8	7	pieces
MADRIX Luna 4	4	pieces
MADRIX KEY Ultimate	1	Pieces



Reference Name: Ilyaspark Hotel  
 Location: Isparta / Turkey  
 Date: 2015

Ilyaspark Hotel has completely changed concept of the city center with its unique facade lighting application. Its colorful appearance and visual show was much appreciated by the locals and visitors. Main purpose was to reveal the color and excitement hidden in this crowded city and match the facade lighting to the project's concept. Very positive feedbacks were taken from architects, both impressive and motivating for us.

**Products used:**

HERA Sword® 100x1 RGB Direct View	2648	meter
HERA Quad RGBW (Special Product)	128	pieces
MADRIX Luna 16	16	pieces
MADRIX Key Ultimate	1	pieces



Reference Name: Suzer Plaza The Ritz-Carlton Hotel  
 Location: Istanbul / Turkey  
 Date: 2014

Located in the prestigious neighborhood of the city, Suzer Plaza shows off its new appearance with Hera LED's facade lighting solution. Our engineers and designers have worked with perfect diligence on this project. This attractive lighting creates a welcoming feeling within the center where hotel is located. First and foremost, this functional lighting is designed to guarantee an effective and reliable operation of the luminaires. The lighting design blends in harmoniously with the architecture and shows off a distinctive design.

**Products used:**

HERA Sword® 100x4 RGB Tube	1174	meters
MADRIX Luna 16	6	pieces
MADRIX Luna 8	1	pieces
MADRIX Key Ultimate	1	pieces



Reference Name: Lumos Deluxe Resort Hotel  
 Location: Alanya / Turkey  
 Date: 2016

Facades are the show case of Lumos Deluxe Resort Hotel. The smooth interaction between light and shade highlights this distinctive structure, and makes it stand out from its surroundings. Lumos relies on Hera LED lighting system and the prestige it brings to its brand. If you want to create this colorful magic in your premise as well, please get in touch with us.

Products used:

HERA Sword® 100x4 RGB Tube	1080 meter
MADRIX Luna 16	7 pieces
MADRIX Luna 8	1 pieces
MADRIX KEY Ultimate	1 Pieces



Reference Name: Camlica Television Tower  
 Location: Istanbul/ Turkey  
 Date: 2020

Camlica Tower is located at Camlica Hill, one of the most popular places in Istanbul that offers visitors an amazing view of Bosphorus. The tower is also at the highest point above sea level in Istanbul. The total height is 365m. Visitors will be able to see all parts of Istanbul from viewing terraces which are located at the top. This tower is expected to be symbol of Istanbul and a visual light feast with HERA's products & lighting design. Concept designed RGBW fixtures with 65,000 pixels, crown this unique tower. In addition to our manufacturer identity, we also made total installation and supervision of the project in a short period of time. All products have Advanced RDM Monitoring feature which send complete information on the products and respond in case of failure. "Advanced RDM Monitoring" technology includes exclusive specifications; such as Voltage Monitoring (Input Voltage, MCU Voltage), Temperature Monitoring (PCB, Regulator Temperatures), Status Monitoring, Power Cycle Monitoring, and Lumen-Maintenance Life Monitoring.