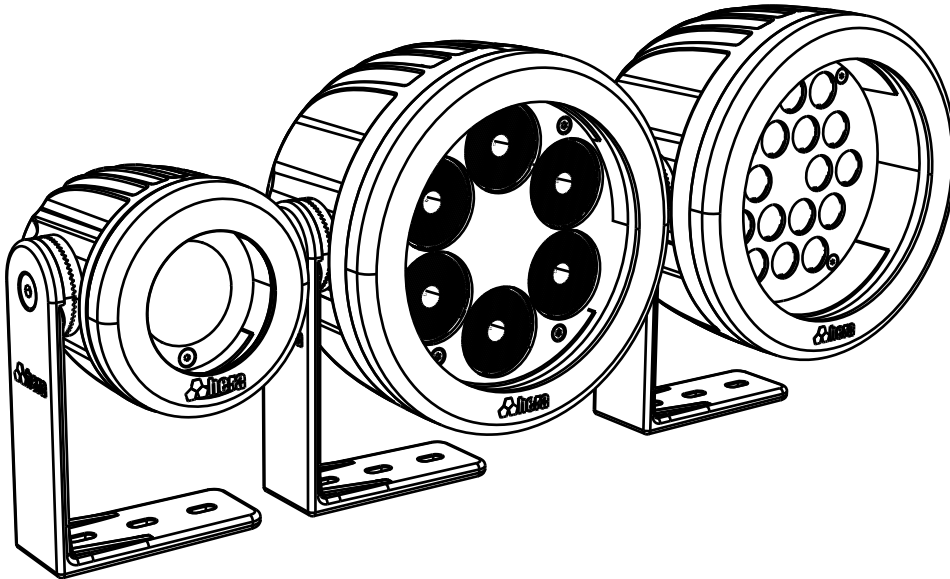


Date \_\_\_\_\_  
 Company \_\_\_\_\_  
 Project \_\_\_\_\_



## Explanation

Procolor®AC SC series is a single color-floodlight, powerful, outdoor rated with high lumen output and excellent color consistency. Procolor®AC SC floodlights are excellent solution for accent lighting, spot lighting, wall washing, façade lighting applications and widely used in illuminating historical buildings, monuments in parks and other areas.

LEDs can be in Red, Green, Blue, Amber, Warm White, Natural White and Cool White colors.

Number of LEDs in Procolor® AC SC Series;

Procolor®AC 10SC - 7 High Power LEDs,

Procolor®AC 35SC - 18 High Power LEDs,

Procolor®AC 60SC - 24 High Power LEDs.

Procolor®AC SC Series has a sturdy die-cast aluminium body. It works at universal power input 90 ~ 264VAC to ensure connections over long distances.

•Procolor®AC SC floodlights enable flexible application using very long starter and jumper cables, since they operate in 90 ~ 264VAC 50/60HZ universal voltage range.

•Available in different beam angles as shown in the specification sheet.

•The mounting apparatus, which can move on the fixture, is oriented and secured with a stable gear system at 6° angles, thus maintaining its position with a sturdy lock.

•IP67 class Procolor®AC SC floodlights, are designed to meet the challenging requirements of exterior applications with their robust and durable structure. It is resistant to shock, vibration and other harsh conditions through die-cast aluminium body and tempered glass cover.

•Procolor®AC SC series is produced in RAL9005-black color as standard, and is also available in different colors in RAL code upon request.

	<u>Procolor<sup>®</sup> 10</u>	<u>Procolor<sup>®</sup> 35</u>	<u>Procolor<sup>®</sup> 60</u>
<b>Output</b>			
Light Source:	7 High Power LED's	18 High Power LED's	24 High Power LED's
Lumen Maintenance:	60.000 > hours L70 @ 50° C (full output)		
Color Range:	Red, Green, Blue, Amber, Warm White, Natural White, Cool White		
Ra(CRI):	White product 2200K-5700K > 80CRI / 6500K > 70CRI		
Beam Angle:	19° / 26° / 54°	15° / 30° / 45°	8° / 30° / 45°
Luminous Flux:	735 lm	2169 lm	1988 lm @ 2700K
Luminous Intensity:	3443 cd	13853 cd	12541cd @ 2700K
Efficacy (lm/W):	80 lm/W	94 lm/W	54 lm/W @ 2700K

\*The values above are measured data in RGBW-DW "Full ON" mode and using a 10° lens. Please see IES/LTD files and photometric measurements for different lens beam angles.

\*Photometric performance is measured in compliance with IESNA LM 79-08

\*The dynamic power-boost feature enables the light to display the maximum brightness at all times and intensify non-white colors.

### Electrical

Operating Voltage:	90 ~ 264VAC 50/60Hz Universal AC input		
Power Consumption:	9W	23W	38W
Connections:	Wire		

### Physical

Housing:	Die-Cast Aluminium
Front Material:	Clear Tempered Glass
Installation Brackets:	Die-Cast Aluminium 6° Multi-positional, locking hinges
Hardware:	Stainless Steel
Gasket:	Silicon
Surface Finish:	RAL 9005 Electrostatically polyester powder coat (standard) or Custom Any RAL (optional)

### Measurements:

Weight:	0,800Kg (1,76lb)	1,8Kg (3,96lb)	1,8Kg (3,96lb)
Dimensions: (H x W x D)	141,5x89x95mm 5,6x3,5x3,7in	173x149x115mm 7x5,8x4,5in	173x149x115mm 7x5,8x4,5in

### Environmental

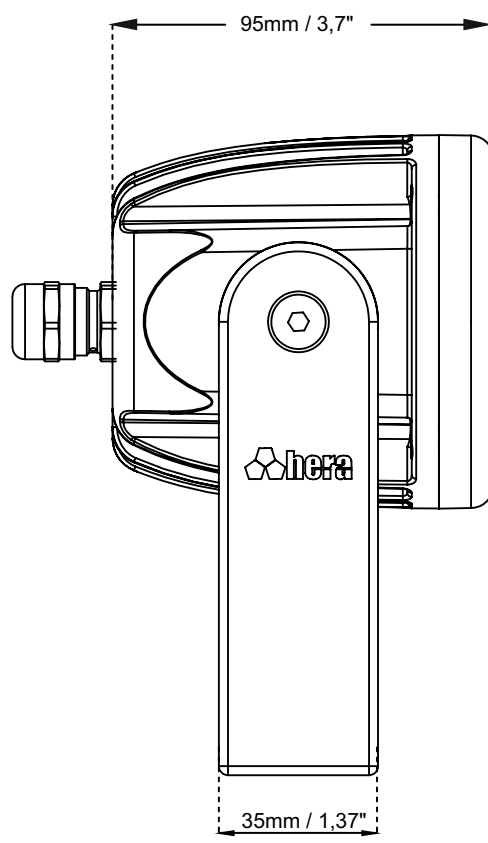
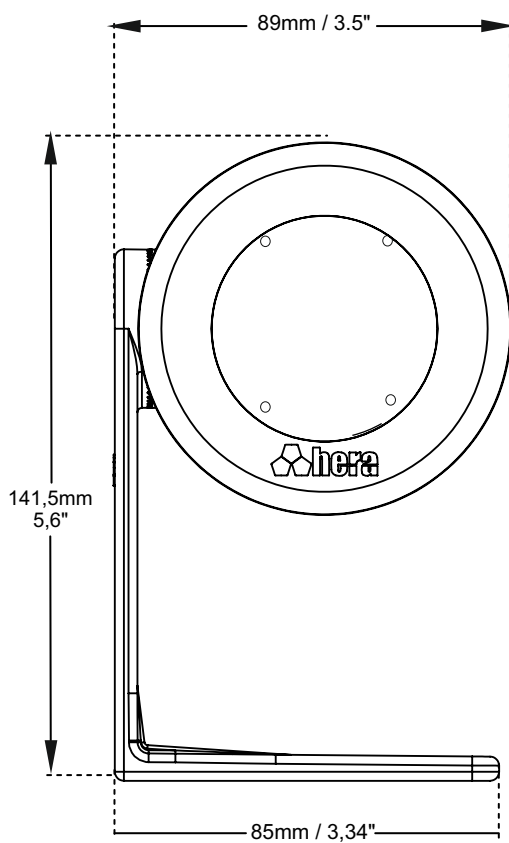
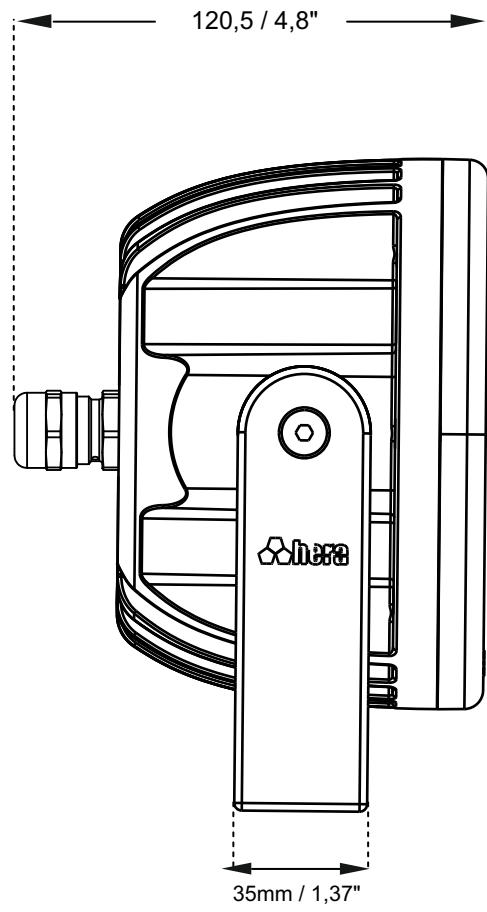
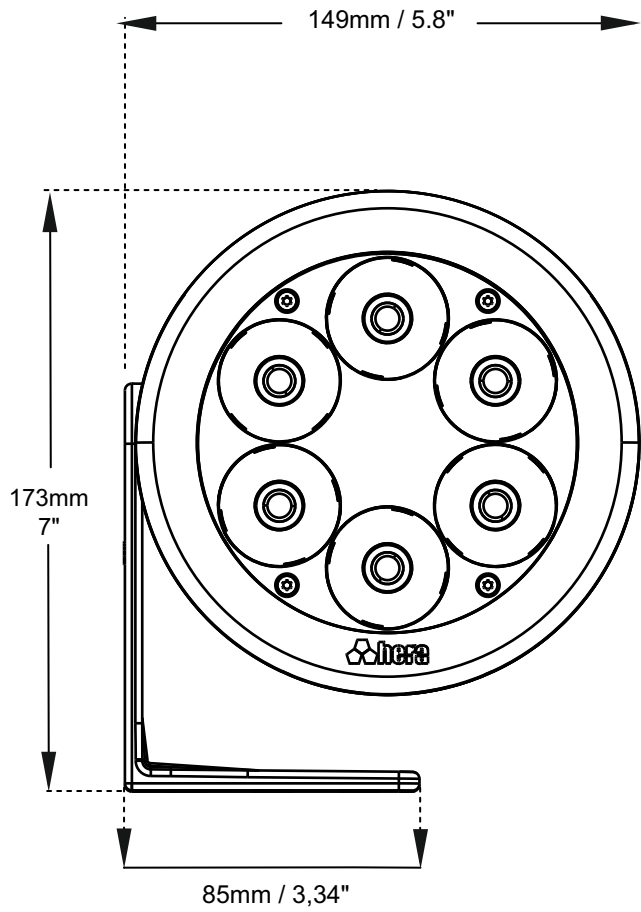
Storage Temperature:	-40°C - 85°C (-40°F - 185°F)
Start-up Temperature:	-25°C - 50°C (-13°F - 122°F)
Operating Temperature:	-40°C - 50°C (-40°F - 122°F)
Thermal Protection:	Automatic over temperature protection
Cooling:	Cooling by free air convection
Vibration Resistance:	Complies with ANSI C136.31-2010
Corrosion Resistance:	Complies with ASTM B117 standard only painted models
Ingress Protection Rating:	IP67
Impact Resistance Rating:	IK09
Humidity (max.):	0 to 98%, non-condensing

### Testing:

All Hera LED products are assessed by a stringent 100 hour test, above and beyond what they would come across in the real world. This can be seen from our advanced RDM Monitoring System as well, leaving no place for doubt. This strict testing, builds trust, when your reputation is on the line. It is our company's culture and heritage, also our way of securing our worthwhile Customers.

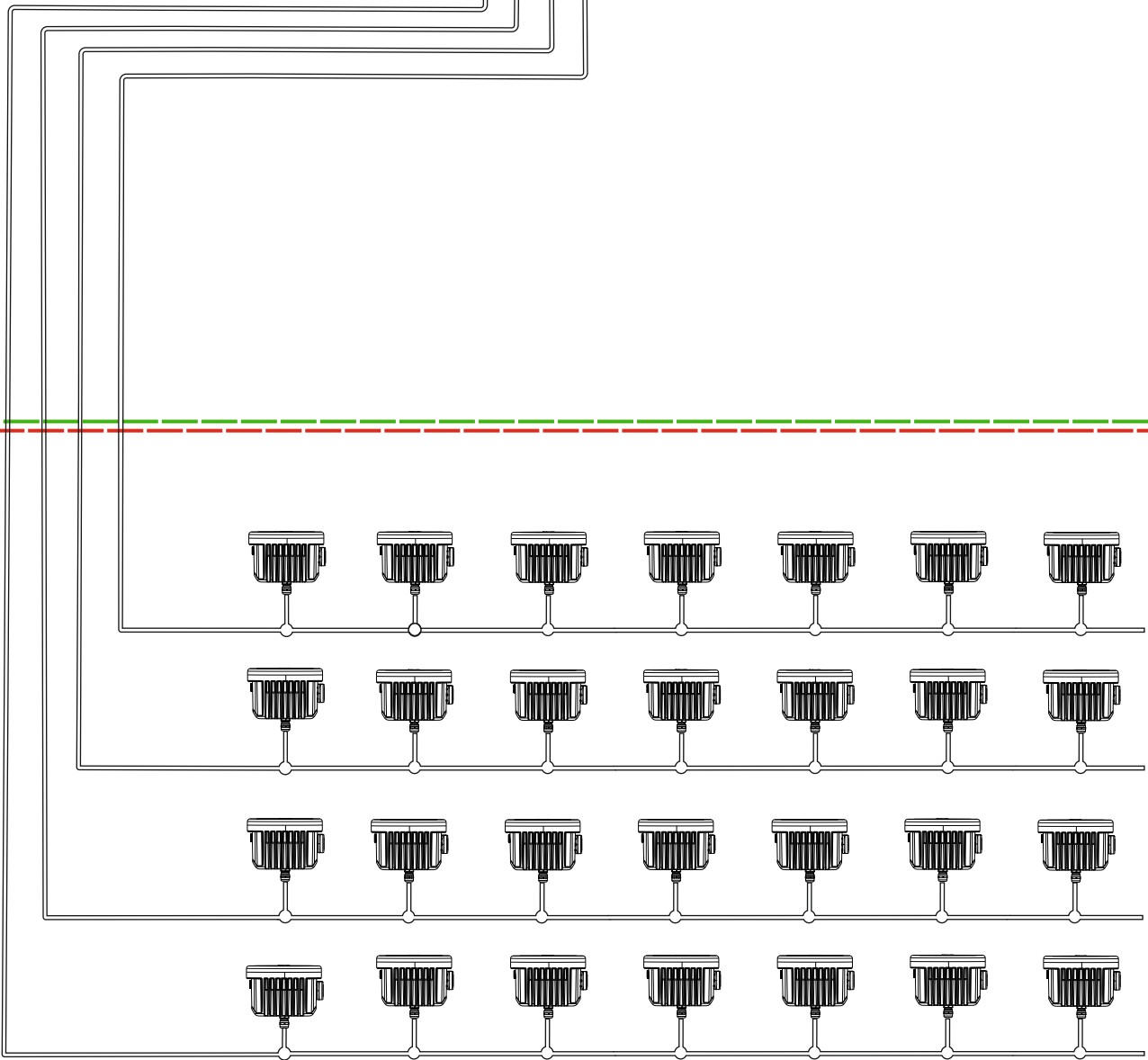
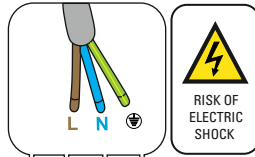
### Certification

EU Safety:	EN 60598-1, EN 60598-2-5, EN 62471, EN 60529, EN 62262
EU EMC:	EN 55015, EN 61000-3-2, EN 61000-3-3, EN 61547, EN 61000-4-2, EN 61000-4-3, EN 61000-4-4, EN 61000-4-5, EN 61000-4-6, EN 61000-4-8, EN 61000-4-11
US Safety:	UL 1598
US EMC:	FCC Part 15 Class A
Warranty:	5-year Limited Warranty



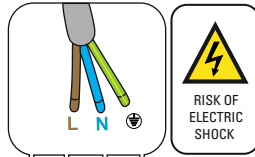
Procolor<sup>®</sup>AC 35-60SC Wiring Diagram

90~264VAC 50/60Hz

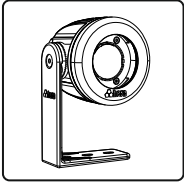


Procolor<sup>®</sup>AC 10SC Wiring Diagram

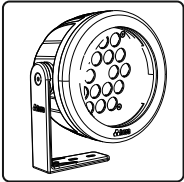
90~264VAC 50/60Hz



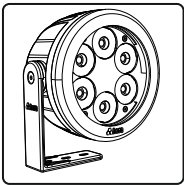
### Products



P03001XX1 Procolor®AC 10 Single Color 90~264VAC Floodlight Narrow Beam 19°  
 P03001XX2 Procolor®AC 10 Single Color 90~264VAC Floodlight Medium Beam 26°  
 P03001XX3 Procolor®AC 10 Single Color 90~264VAC Floodlight Wide Beam 54°



P03003XX1 Procolor®AC 35 Single Color 90~264VAC Floodlight Narrow Beam 8°  
 P03003XX2 Procolor®AC 35 Single Color 90~264VAC Floodlight Medium Beam 30°  
 P03003XX3 Procolor®AC 35 Single Color 90~264VAC Floodlight Wide Beam 45°



P03004XX1 Procolor®AC 60 Single Color 90~264VAC Floodlight Narrow Beam 8°  
 P03004XX2 Procolor®AC 60 Single Color 90~264VAC Floodlight Medium Beam 30°  
 P03004XX3 Procolor®AC 60 Single Color 90~264VAC Floodlight Wide Beam 45°

P1 2 3 4 5 **XX** 8

- 01-Red
- 02-Green
- 03-Blue
- 04-Amber
- 05-Warm White
- 06-Natural White
- 07-Cool White



**HERA EĞLENCE VE MİMARİ AYDINLATMA  
SİSTEMLERİ İÇ VE DIŞ TİCARET A.Ş.**

Güllübağlar Mah. Kahramanlar Cad. No 3/1  
34906 Pendik / İSTANBUL / TÜRKİYE  
T: 0216 307 79 00 (pbx) F: 0216 307 79 02

[www.heraled.com](http://www.heraled.com) [info@heraled.com](mailto:info@heraled.com)

