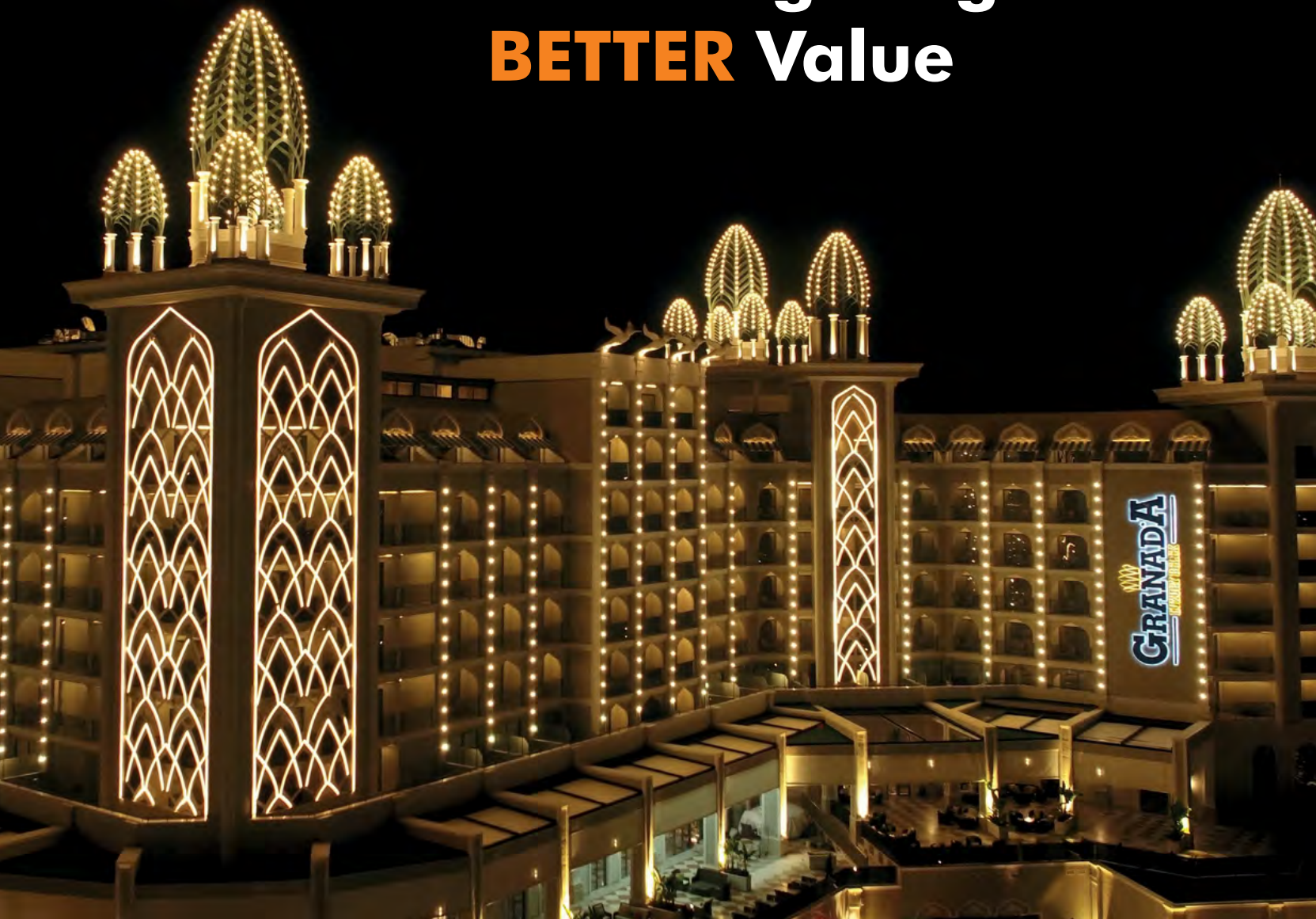


BETTER Lighting
BETTER Value



PD60
SERIES





PD60 SERIES



UNLIMITED TECHNOLOGY UNLIMITED COLORS

PD60 luminaries consists of a diverse selection of lighting solutions that greatly improve lighting quality and efficiency for large scale surfaces. They enable high brightness, wide colour range and customization options in high-rise structures, where long pixel pitch lengths are required. Extraordinary effects can be easily created with no limitation of size, shape and distance.

PD60s are widely used in large-scale projects for producing direct-view solutions in dot-pixel lighting, especially in media facade, architectural, bridge and stadium applications. Products are DMX and RDM compatible and available in RGB, RGBW and DW (Dynamic White) options.

Brightest Place **on Earth**

Hera LED supports the optimum quality of life experience. Therefore we empower our partners to enhance outdoor spaces and architecture with adaptive, multi-layered and aesthetic lighting concepts tailored for right quality of light in the right place and at the right time.

Facade lighting provides a beautiful, aesthetic extension of your interior. Dot-pixel lighting focusing on the outer walls will create an extraordinary atmosphere around your architecture. Different results can be obtained by varying the the location and the spacing between the fixtures themselves. It gives you the best solution whether you want a uniformly illuminated wall or separate patches of light on the facades. One other advantage of spotlights is that they are not prominently visible during daytime.

Our PD60 direct-view spot lighting solution provides high brightness, wide colour range and customization options for large-scale surfaces or high-rise structures where long pixel pitch lengths are required, all in one shot. Extraordinary effects can be created without limitation of size, shape and distance. Connectors are located on the rear in the PD60 version, and on the sides in the PD60S version. The dome version with opaque lid is used in many different lighting designs. Fixture has 18 LEDs for RGB, 12 LEDs for RGBW, 36 LEDs for DW and can be seen from long distances.

With our PD60 series, we provide unlimited brightness and resolution, so that your architectures will be unlimited as well.



Technology That Pushes

Limits

Technology for Innovators

RDM Monitoring

The lighting controls industry has evolved in favour of RDM. DMX512, the control standard across entertainment & architecture lighting controls, now offers two-way communications for configuration, monitoring and system setup via RDM protocol.

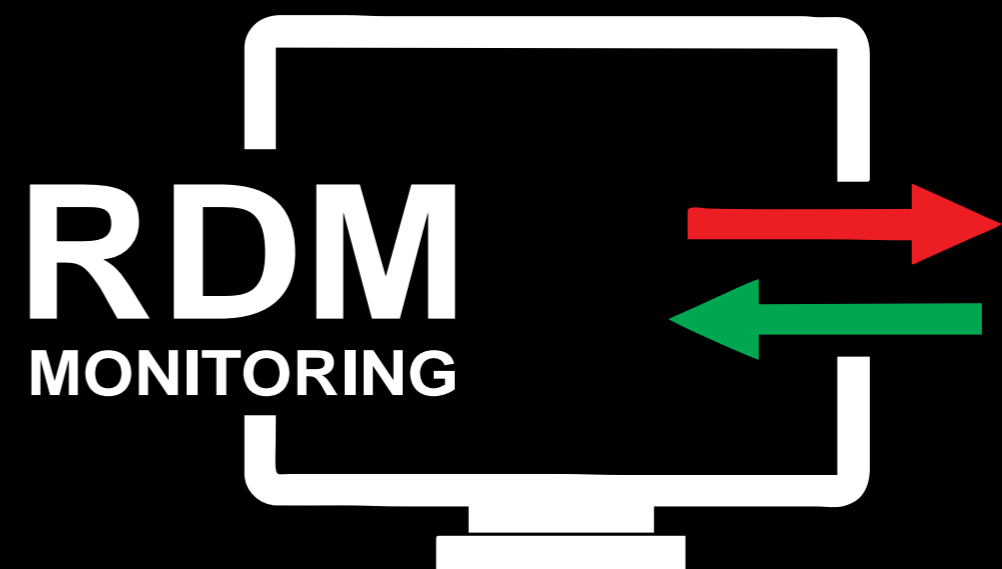
RDM is a killer way to work with your fixtures that are in the air while you are on the ground.

Did a stagehand or technician address 2 lights to the same address? Are some or all of your fixtures in the wrong mode? With RDM, you can change any of these things and more. Depending on your RDM controller, you either can work with 1 fixture at a time, or make changes to a number of fixtures very quickly.

In days before RDM, accessing functions and diagnostics of your fixture like the DMX address, control mode, lamp hour, and fan speed meant you had to be next to the fixture whether it was on the ground or 200 meters up in the air!

The RDM Protocol provides configuration and feedback from architecture lighting, theatre lighting systems, live events, and more. It works by sending pulses of data down the DMX line in-between the normal DMX commands. RDM actually communicates down the same lines as your DMX.

Many consoles and devices allow you to scan for RDM on an as-needed basis, or you can leave your RDM functionality on full-time. Hera LED fixtures, power supplies and splitters are completely compatible and compliant with RDM and have RDM monitoring features via Madrix controllers and software.



Madrix Radar Software

Hera LED's DMX lighting fixtures are also equipped with Remote Device Management. It is a two-way communication for receiving instructions as well as sending out feedback.

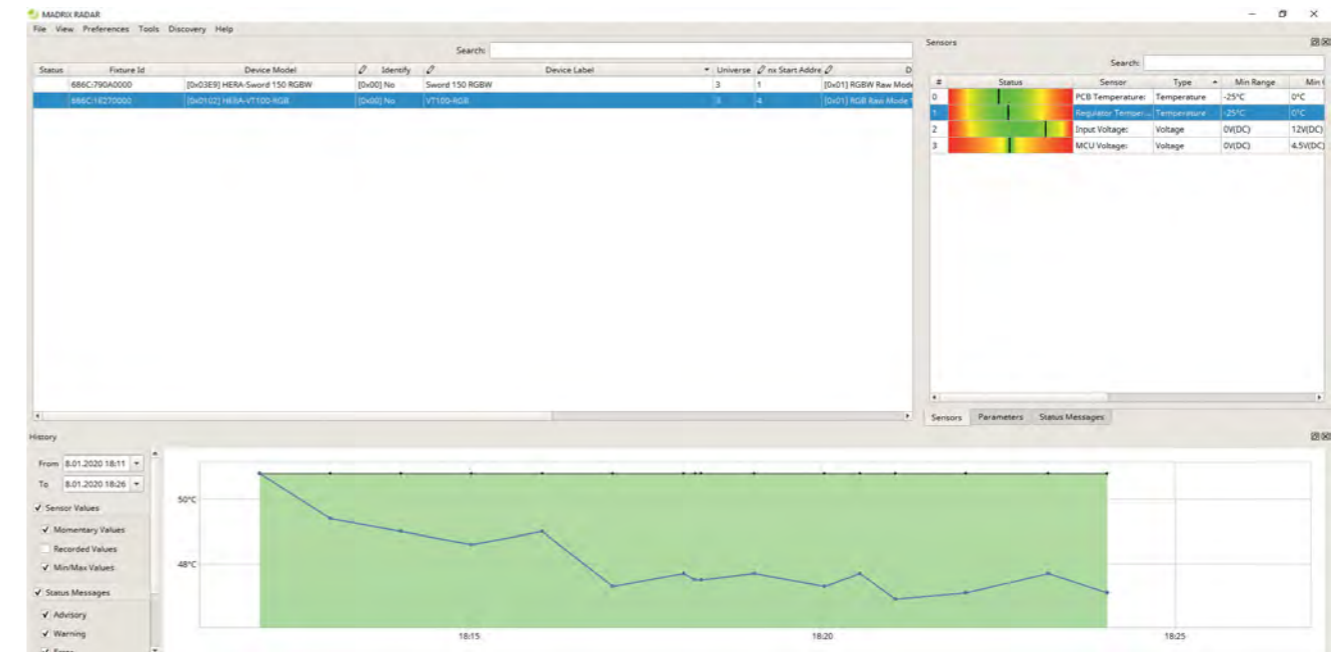
When devices report back data, you gain access to a whole new level of available information, insights, and control. MADRIX® RADAR is the complete toolbox to make the most of this data; automatically and efficiently.

With MADRIX® RADAR, one can supervise all lighting fixtures in a single software and handle large amounts of RDM devices. It is a new kind of application that opens up entirely new possibilities for you and your clients. MADRIX® RADAR includes automatic fixture patching, fully automatic 24/7 device monitoring, automatic e-mail notifications, and much more. This new software will allow you to configure settings remotely in an easy manner, monitor devices automatically for you, quickly see the results in graphical overviews at a single glance. That means that your setup and maintenance processes are much faster, much easier, and much more cost-efficient than ever before.

You can build a database of past sensor data and see the progression of device parameters, such as temperature and operating hours and exchange devices that are likely to fail soon. This way your maintenance costs are much more predictable.

Visualise how your system works.
Provide unparalleled support for each installation.
Start offering all-new benefits to your clients.
Unleash the full potential of RDM.

#	Status	Sensor	Type	Min Range	Min Okay	Min Detected	Value	Max Detected	Max Okay	Max Range	Record Value Support	Rec
0		PCB Temperature	Temperature	-25°C	0°C	0°C	35.8°C	38.5°C	85°C	125°C	[0x01] Recorded Value Supported	
1		Regulator Temper...	Temperature	-25°C	0°C	0°C	47.1°C	50.8°C	85°C	125°C	[0x01] Recorded Value Supported	
2		Input Voltage	Voltage	0V(DC)	12V(DC)	0V(DC)	46.9V(DC)	47V(DC)	55V(DC)	60V(DC)	[0x01] Recorded Value Supported	
3		MCU Voltage	Voltage	0V(DC)	4.5V(DC)	0V(DC)	4.9V(DC)	4.9V(DC)	5.5V(DC)	10V(DC)	[0x01] Recorded Value Supported	



**UNLEASH THE FULL
POTENTIAL OF RDM**

**AUTOMATIC E-MAIL
NOTIFICATIONS**

**FULLY AUTOMATIC 24/7
DEVICE MONITORING**

**INTRODUCING
MADRIX RADAR**

TRANSFORM HOW YOU WORK WITH LUMINARIES. EASILY CONFIGURE SETTING REMOTELY. LET THE SOFTWARE MONITOR DEVICES AUTOMATICALLY FOR YOU

PROVIDE UNPARALLELED SUPPORT FOR EACH INSTALLATION. START OFFERING ALL NEW BENEFITS TO YOUR CLIENTS

BUILD A DATABASE OF PAST SENSOR DATA AND SEE THE PROGRESS ON OF DEVICE PARAMETERS. SUCH AS TEMPERATURE AND OPERATING HOURS

FULLY AUTOMATIC 24/DEVICE MONITORING. AUTOMATIC E-MAIL NOTIFICATIONS. UNLEASH THE FULL POTENTIAL OF RDM

Continuous Monitoring on Sensor Data

Let the software monitor all of your devices 365 days a year, 7 days a week, 24 hours a day. It does so fully automatically without any required supervision.

MADRIX® RADAR checks the status of devices, such as voltage, temperature, status, power cycle, life cycle, and more. Graphical overviews allow you to quickly see if a sensor value is within its specified limits or out of its valid range.

Simplified Fixture Addressing by Addressing

Easily set up your RDM devices remotely. You can perform any configuration conveniently from your computer; instead of requiring direct access to the devices.

Fast Workflow with Powerful Automation

Drastically reduce the time-consuming process of configuring a large number of devices. Use the built-in search function and change settings of a single device or select several entries to quickly make multiple changes at once.

Let the software automatically patch all fixtures in a single DMX universe or across the entire range of addresses. Simply use drag and drop to put them in the correct order.

Fixture Discovery and Full Support on RDM

Use the built-in highlight mode to let a fixture flash with full-on white for quick identification of fixtures. See if devices correctly responds to DMX commands.

MADRIX® RADAR supports all RDM parameters detailed in the official protocol specifications of ANSI E1.20 and ANSI E1.37-1 over Art-Net.

Automatic Notifications and Event Reports

In addition to merely requesting and receiving information, the software will apply its own logical routines in order to create events for you. By probing and validating incoming data, MADRIX® RADAR provides actionable reports for you.

If MADRIX® RADAR detects any irregularities, you can receive automatic status updates within the software, run a PowerShell script, or let the system conveniently send you e-mails.

Invaluable Data History

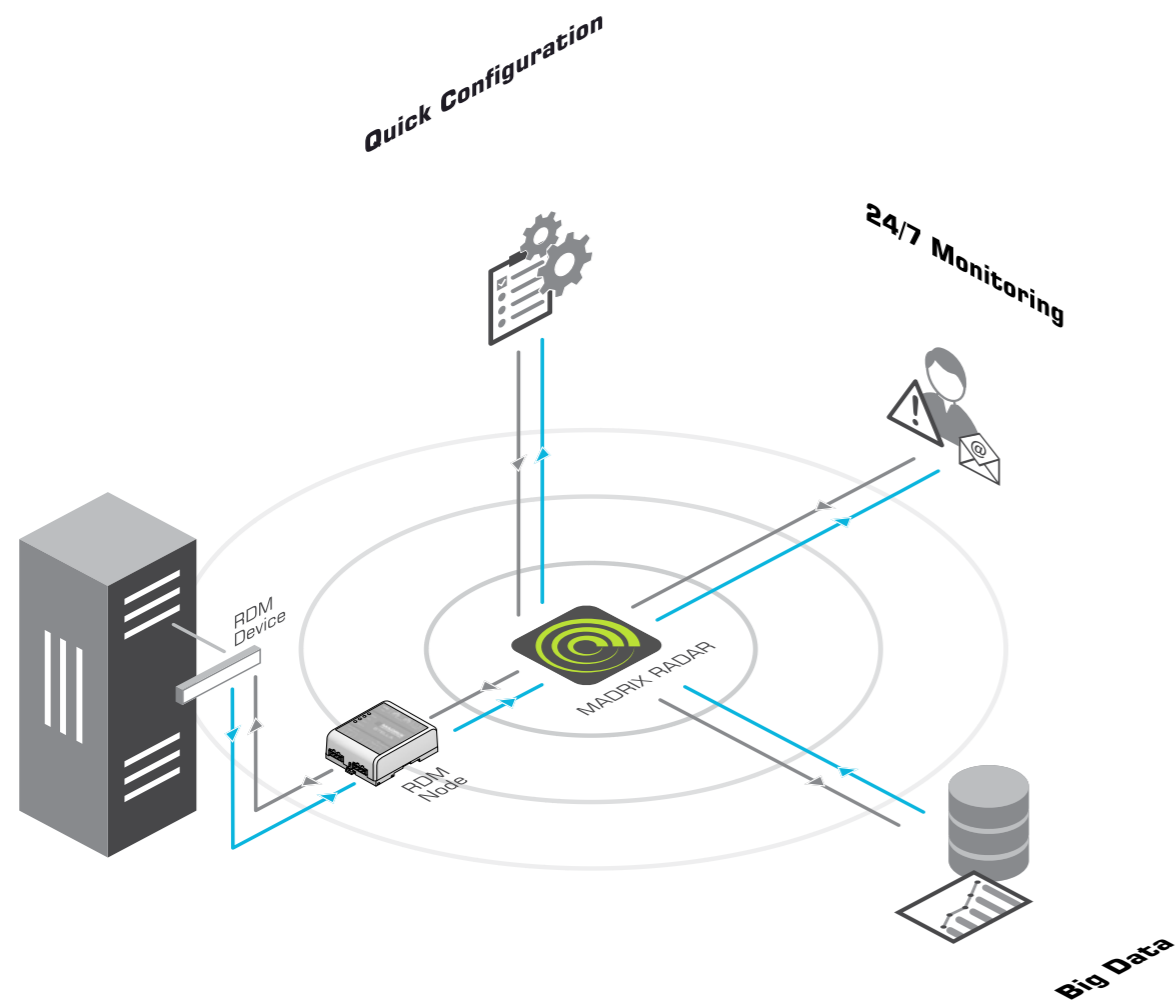
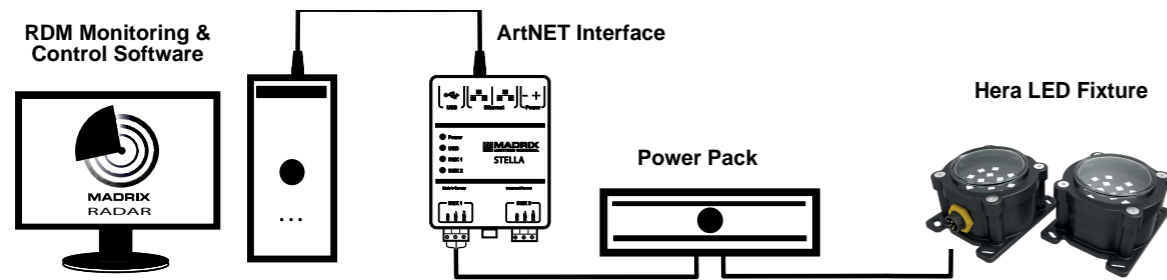
Leverage the valuable information that a device's data history can provide. See individual time series graphically over time. Access data records to see the progression, and find trend lines.

Smart Data Management

Present comprehensive statistics to your clients based on the data that MADRIX® RADAR is collecting. Replace failing devices and avoid replacing the ones that need no immediate replacement. You can freely enable or disable if data points are recorded, for example

Setup & Configuration

With License Model Integra Flexibly Into Your Projects



The MADRIX® System takes advantage of high-quality software and high-quality hardware.

	MADRIX® RDM Nodes		Third-Party RDM Nodes & MADRIX® RADAR License			
			MADRIX® RADAR fusion small	MADRIX® RADAR fusion medium	MADRIX® RADAR fusion large	
RDM Devices/Sub-Devices	Automatically unlocks for all connected RDM devices/sub-devices.		2	32	256	2,048
Management	Yes	Yes	Yes	Yes	Yes	
Configuration	Yes	Yes	Yes	Yes	Yes	
Monitoring	Yes	Yes	Yes	Yes	Yes	



MADRIX RADAR is an independent software that allows you to choose compatible RDM nodes. You gain the enormous advantage with MADRIX RDM nodes of running a fully integrated system. MADRIX hardware processes RDM data packages in a way that does not result in interference with DMX data packages during full and live operation, which could lead to visual flickering or other signal interruptions.

MADRIX interfaces manage these data streams highly efficiently and intelligently.



Certification

Product complies with EU Safety regulations of EN 60598-1, EN 60598-2-3, EN 62471, EN 60950-1, EN 60950-22, EN 60529, EN 62262.

Product complies with EU EMC standards of EN 55024, EN 55032, EN 61000-4-3, EN 61000-4-4, EN 61000-4-6, EN 61000-4-8.

Product complies with US Safety standards of UL 1598, UL 60950-1, UL 60950-22 and US EMC standard of FCC Part 15 Class A.

We fully trust in our products and give 5-year warranty for all our product lines, subject to conditions given in the warranty agreement.

Walls Won't Divide Us When Lighted

Depending on the type of facade lighting you desire, you may choose the distance from the wall, the distance between the spotlights, the beam angle, the consumption, and the light source. Each choice will have its own impact. Hera LED has through know-how on architecture and entertainment lighting and will generate the best output according to your needs and budget. Our PD60 Series ensures ideal illumination and excellent colour uniformity in direct-view dot-pixel lighting. They have a sturdy outdoor-rated structure and operate via 48V DC. This DC supply characteristic enable flexible applications with very long starter and jumper cables. Power Consumption is 4,32W Maximum at full output, steady state. Maximum 32 pieces can be connected in a chain. PD60 fixtures provide power and data transmission via IP68 input and output connectors that are push lock type, 2+4 pin and waterproof. Connectors can be easily dismantled and assembled, and there is no need to use extra junction-boxes.

Reliability in Numbers



PD60 fixtures are in IP67, IK09 protection class and with their robust and durable structure, are designed to meet extremely difficult requirements of outdoor facade applications. PD60s are resistant to impact, vibration and other harsh conditions, with their aluminum housing and silicon filling. They have passed Verification and Reliability tests.

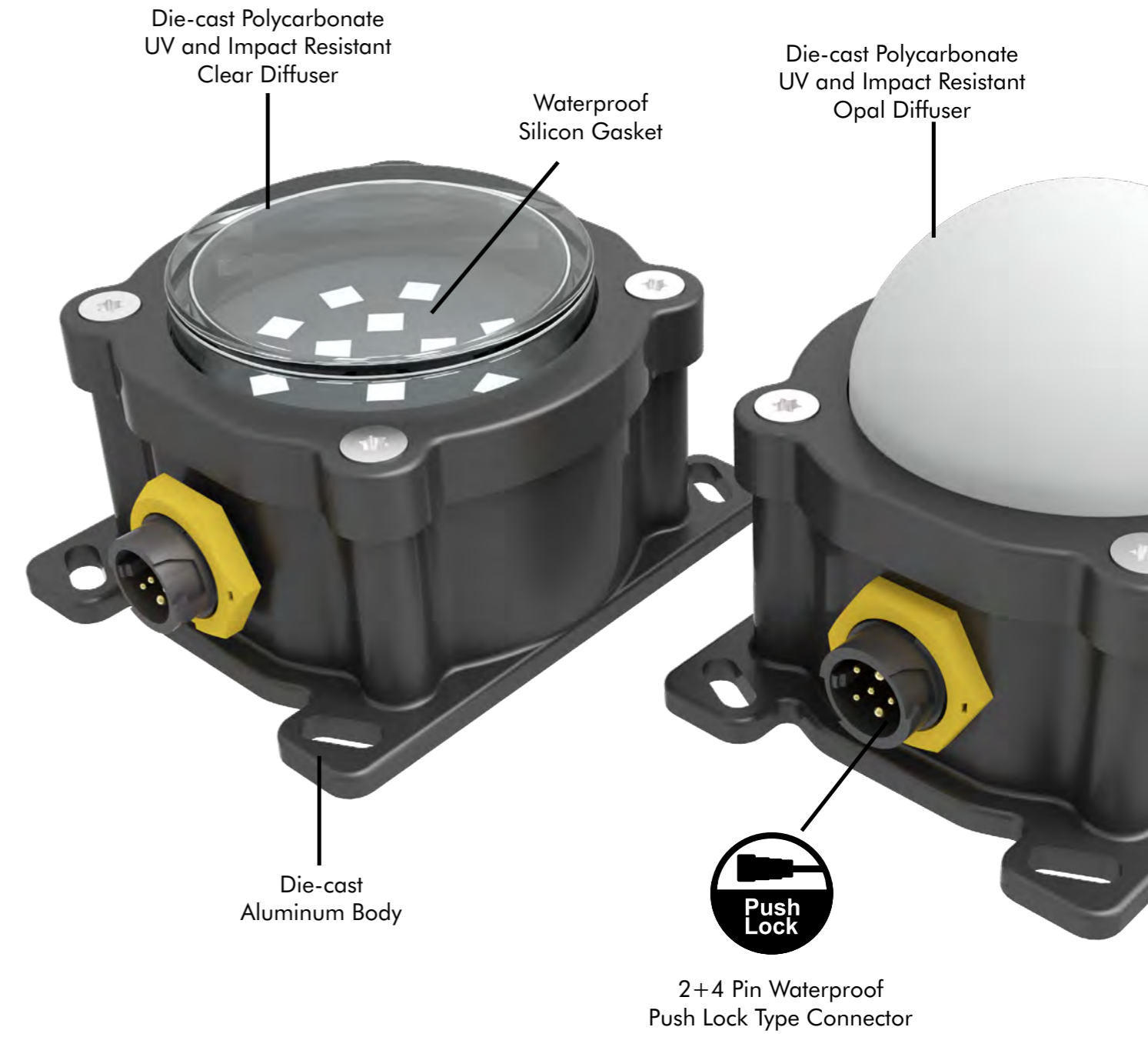
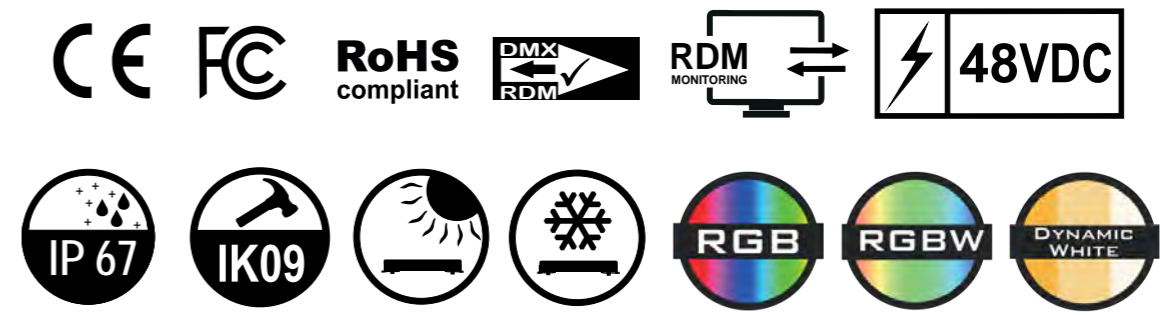
Our conventional fixtures stand the test of time, withstand even the harshest conditions, including dirty power, high-vibration, extreme temperatures and hazardous or volatile outdoor environments.

Thanks to the research and experimentation performed in R&D department, Hera LED offers its Customers optimised solutions according to all specific installations that require high reliability.

WE BRING LIFE TO TECHNOLOGY

PD60s are direct-view fixtures used for dot-pixel lighting in media facades and creative installations, in large-scale surfaces or high-rise structures where long pixel pitch lengths are required. Extraordinary effects can be created with PD60 fixtures without limitation of size, shape or distance.

PD60s are driven by the Madrix Controller family for easy setup and display animation, it is also backwards compatible with DMX. All fixtures have RDM monitoring feature, at sensor level (temperature, voltage), going much deeper than fixture level, which allows to make preventive maintenance in an easy way. RDM monitoring allows voltage, temperature, status, power-cycle and lumen-maintenance follow-up in PD60 fixtures. With PD60 series and Madrix Software & Controller family, you will have full control of your premise.



PD60 RGB Series

Stylish RGB fixture ideal for dot-pixel lighting, focusing light at a certain angle as a direct-view family product

PD60 RGB Series ensures ideal illumination and excellent colour uniformity & harmony and has a sturdy outdoor-rated structure. Product's high brightness, wide colour range and customization options for large-scale surfaces or high-rise structures make it very useful for spotlighting. Extraordinary effects can be created without limitation of size, shape and distance. Connectors are located on the rear in the PD60 RGB version, and on the sides in the PD60S RGB version.

The dome version with opaque lid is used in many different lighting designs. Fixtures have 18 LEDs and can be seen from long distances.

PD60 RGBW Series

Compact housing with 3 primary colours (red, green and blue) plus white. Designed for a wide range of architecture applications with its outstanding performance

PD60 RGBW, with its RGB + smart white algorithms, can control 4 colors per pixel over 3-channel system using DMX Personality. This feature provides a white color of better quality, improves display brightness and efficiency for all colors.

Connectors are located on the rear in the PD60 RGB version, and on the sides in the PD60S RGB version.

The dome version with opaque lid is used in many different lighting designs. Fixtures have 12 LEDs and can be seen from long distances.

PD60 DW Series

Features an unprecedented white light output and stunning warm tones, natural hues and cool shades altogether

All desired animations can be achieved using 2700K to 6500 K LEDs in PD60 DWs, color range is from warm white to cold white.

Connectors are located on the rear in the PD60 RGB version, and on the sides in the PD60S RGB version.

The dome version with opaque lid is used in many different lighting designs. Fixtures have 18pcs 2700K LEDs + 18pcs 6500K LEDs and can be seen from long distances.

Direct View vs. Diffuser Dome



Direct View

There is no opaque diffuser on Direct View PD60s hence lighting is very powerful and unscattered. Fixtures have a clear, impact-resistant polycarbonate diffuser. Direct View fixtures are moused in mesh applications. Beam angle is 105 degrees.



Diffuser

There is an opaque, impact-resistant polycarbonate diffuser on this PD60 model. Diffusion filter of this type softens the light and scatters it. Engineered to diffuse without sacrificing light transmission.

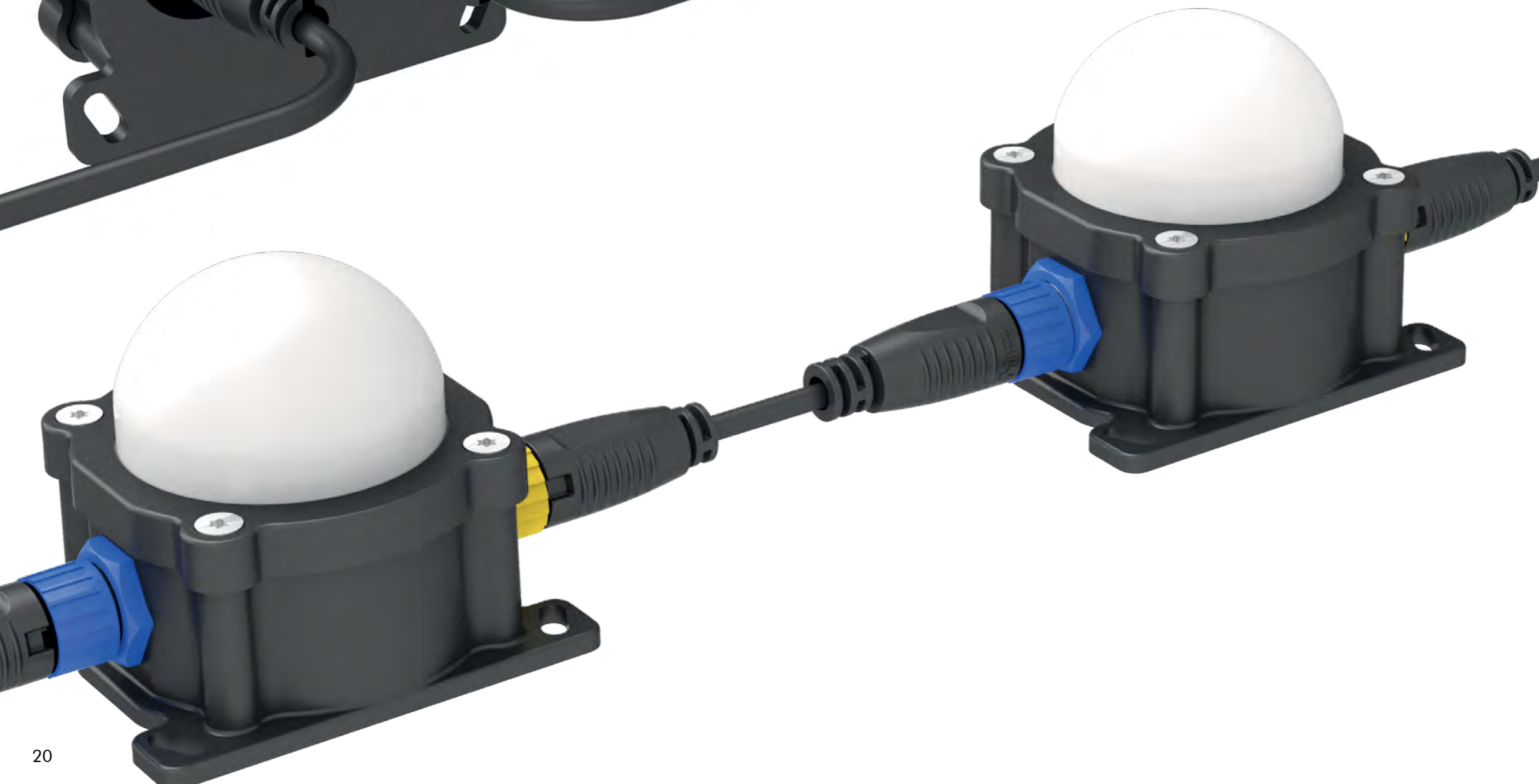
Beam angle is 170 degrees.



PD60 Series Connections

Connectors are located on the rear in the PD60 version. They are suitable for flush-mounted applications and niche mounting spaces.

In this connection type, connectors are not to be seen. It won't disturb the aestheticity of the mounting area. You can form a continuous dot luminaire appearance easily.

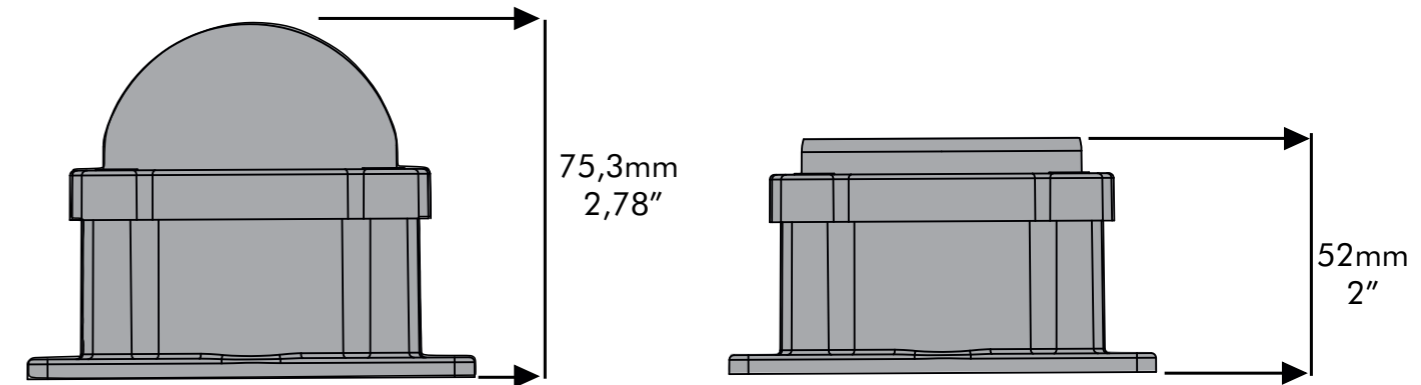
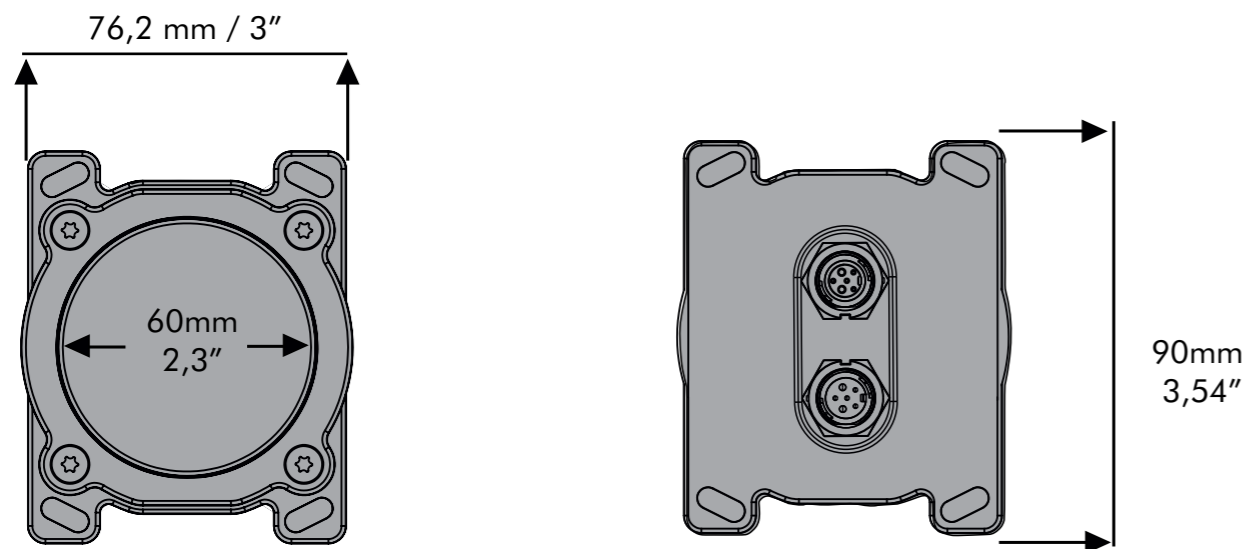
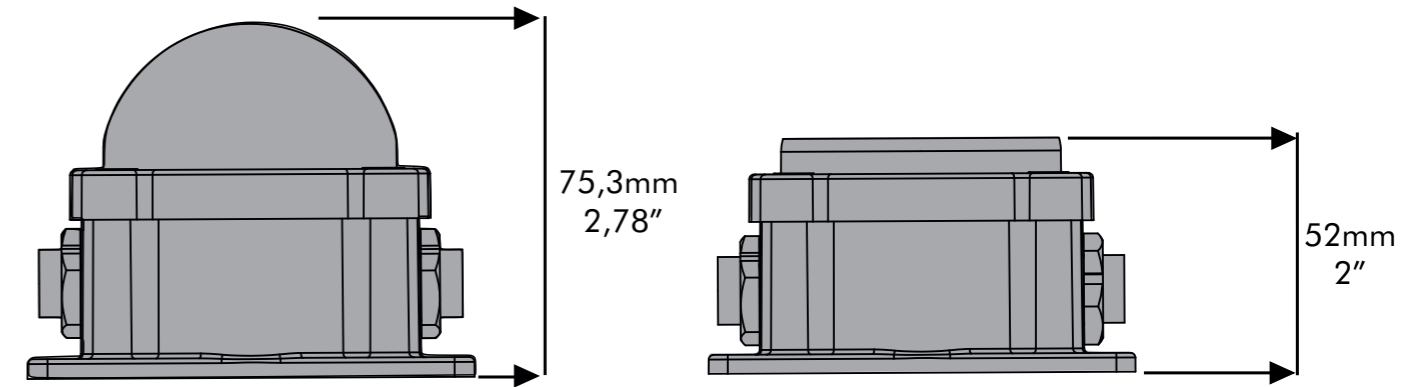
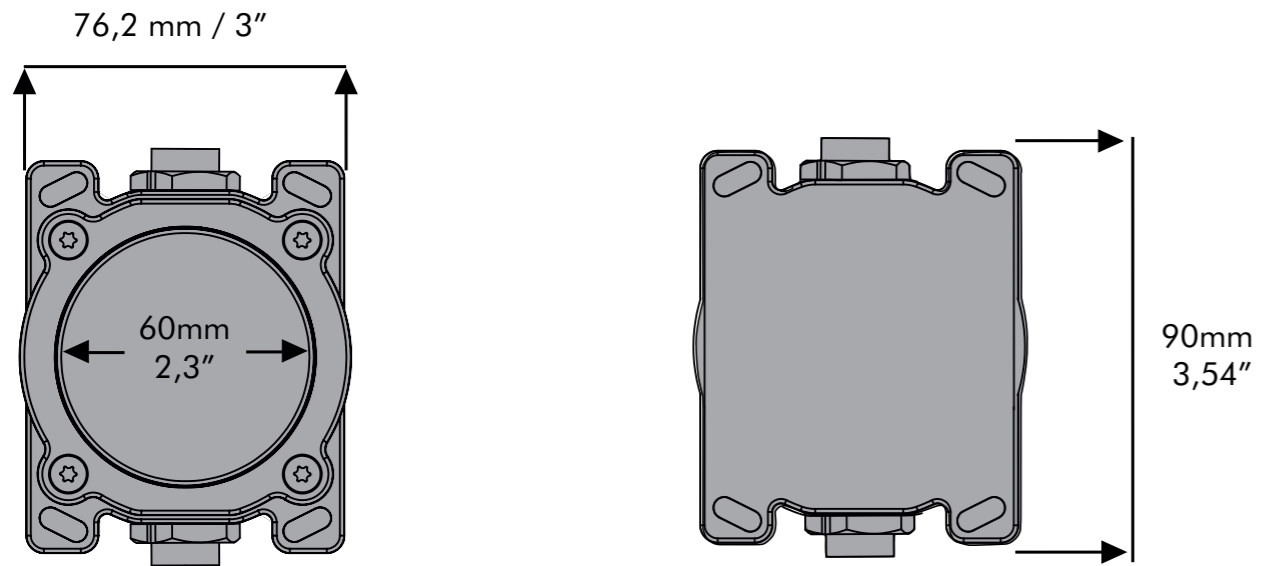


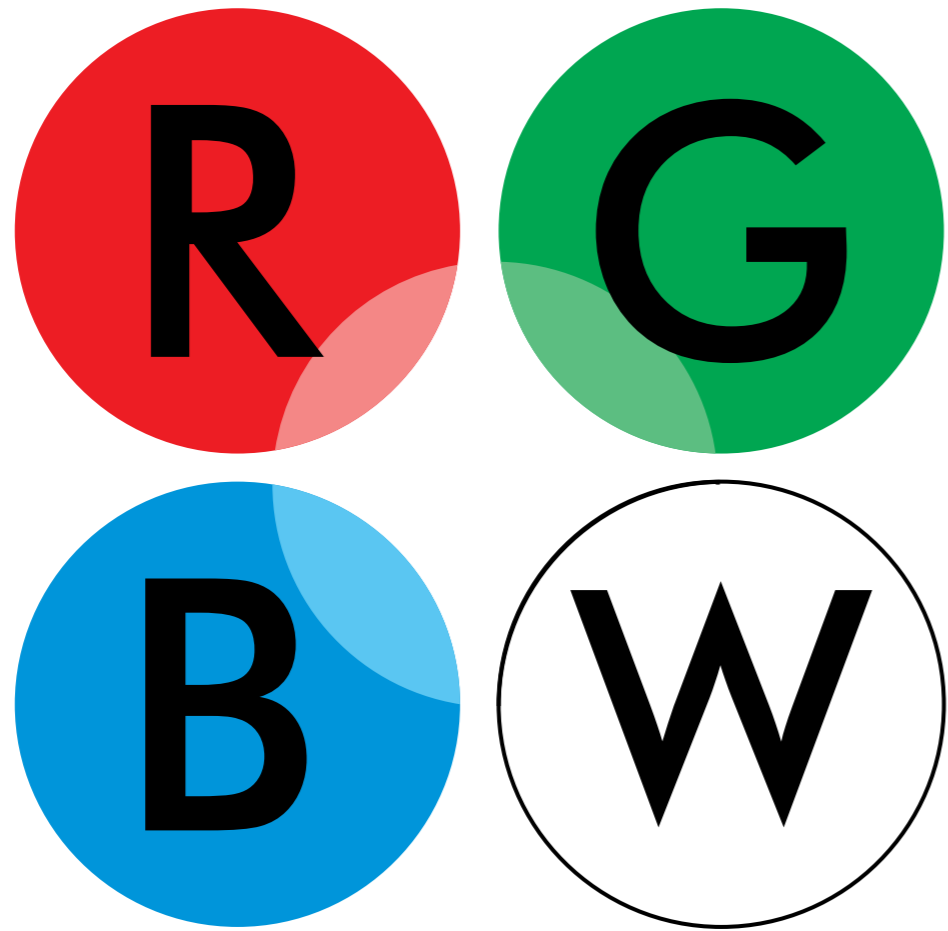
PD60S Series Connections

Connectors are located on the sides in the PD60S version. They are suitable for niche mounting spaces. You can form a continuous dot luminaire appearance easily. Can be easily installed to all linear surfaces.

Dimensions of PD60 SERIES

Dimensions of our PD60 series luminaires are at optimum length - width and height for assembly to different facades, on outdoor applications.

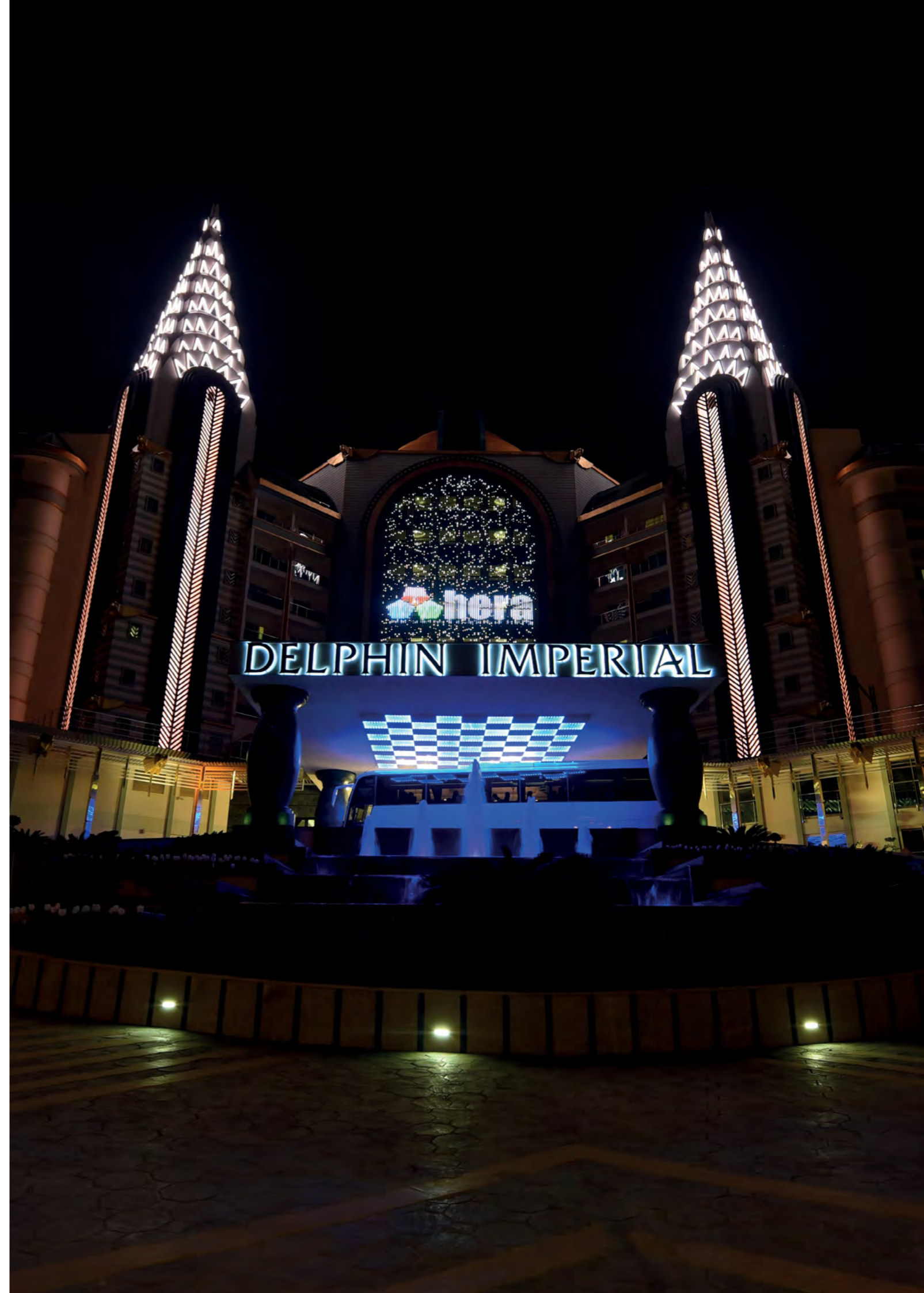




Our AutoWhite Technology in PD60 RGBW

Autowhite algorithm enable auto control of the white LED by 3-channel RGB. With RGB+smart white algorithm, the 3 channel system controls 4 colors per pixel. This allows RGBW usage with less DMX universes and optimises the cost of the project with same color output and improved brightness. Brightness of the White is calculated with an algorithm, from brightness of R, G and Blue. This increases brightness of Red, Green and Blue as well as the White.

This simple yet useful algorithm combined with our cutting-edge facade lighting solutions, turn your building into a real landmark. We can illuminate architectural highlights and even design fascinating color and light effects on exterior facades.



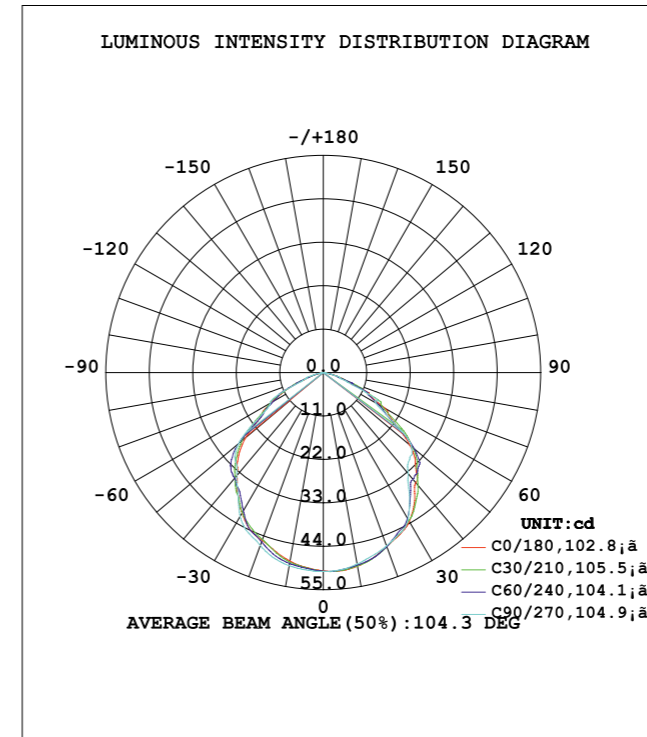
Light Your Fire at All Angles

We deliver high-performance professional LED lighting systems in a wide range of types, form factors, and output levels empowering lighting professionals around the world to achieve their projects.

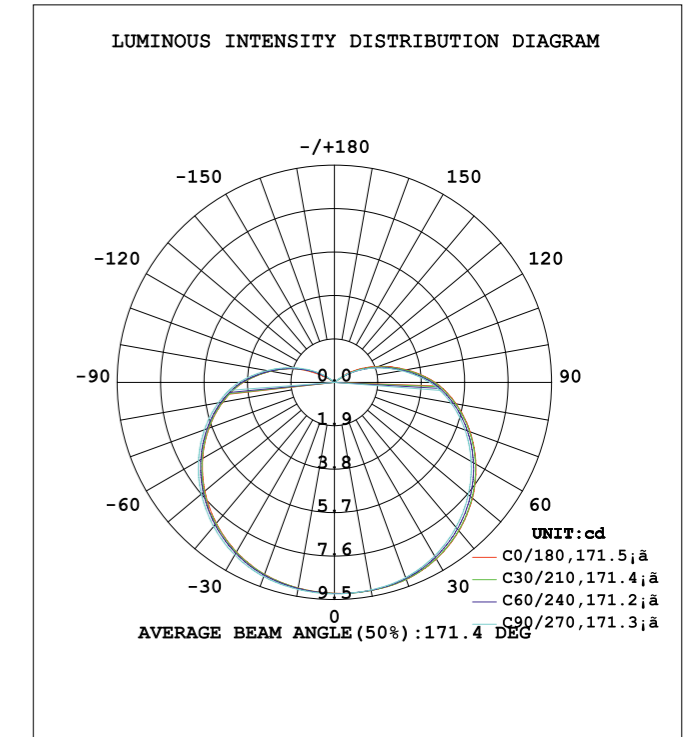
PD60 fixtures deliver high-intensity light at a wide angle (standard but different for direct view and diffused options), for a variety of effects and light distributions. The colored light emitted, highlights requested details in exterior architectural applications.

PD60 RGB SERIES FULL ON

Direct View

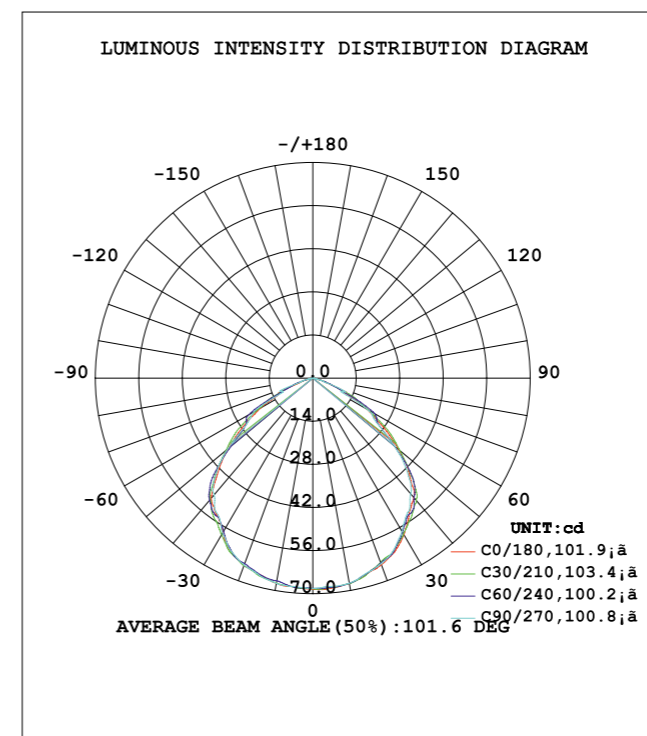


Diffused

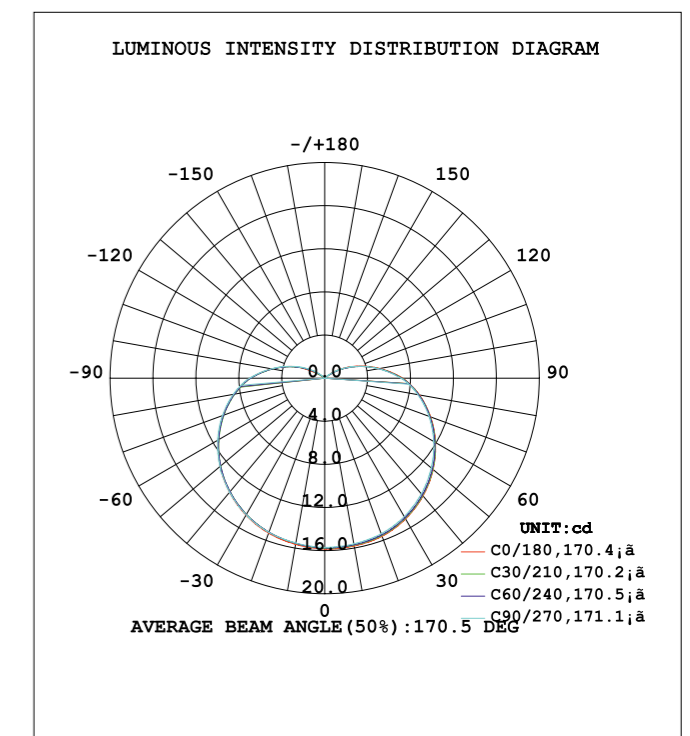


PD60 RGBW SERIES FULL ON

Direct View



Diffused



PD60 RGB Series

Specification

Direct View

Dome Diffused

Output

Light Source:	18pcs High intensity 3 in 1 Chip RGB LEDs
Lumen Maintenance:	60.000 > hours L70 @ 50° C (full output)
Color Range:	16.7 Million additive RGB colors
Beam Angle:	105°
Luminous Flux:	121 lm
Luminous Intensity:	51 cd
Efficacy (lm/W):	28 lm/W

*Photometric performance is measured in compliance with IESNA LM 79-08

Control & Programming

Color Resolution:	3 x 14-bit (Gamma correction)
Addressing:	RDM (Group of Remote Addressable Systems)
Monitoring:	Voltage Monitoring, Temperature Monitoring, Status Monitoring, Power Cycle Monitoring, Lumen-Maintenance Life Monitoring
PWM Frequency:	1,600Hz flicker free dimming to 0.1%
RDM Compliance:	USITT DMX512-1990
RDM Compliance:	ANSI/ESTA E1.20-2010

Electrical

Operating Voltage:	48VDC
Power Consumption:	4,32W Maximum at full output, steady state
Maximum in Chain:	Max 32 pieces
Connections:	Push Lock Type 2+4 Pin Waterproof Connector

Physical

Housing:	Die-Cast Aluminium
Front Material:	Die-Cast Polycarbonate UV and impact resistant opal or clear diffuser
Hardware:	Stainless Steel
Gasket:	Silicon
Surface Finish:	RAL 9005 Electrostatically polyester powder coat (standard) or Custom Any RAL (optional)

Measurements:

Weight:	0,330Kg (0,720lb)	0,310Kg (0,680lb)
Dimensions: (H x W x D)	52x90x76,2mm 2x3,54x3in	75,3x90x76,2mm 3x3,54x3in

Environmental

Storage Temperature:	-40°C - 85°C - (-40°F - 185°F)
Start-up Temperature:	-25°C - 50°C - (-13°F - 122°F)
Operating Temperature:	-40°C - 50°C - (-40°F - 122°F)
Thermal Protection:	Automatic over temperature protection
Cooling:	Cooling by free air convection
Vibration Resistance:	Complies with ANSI C136.31-2010
Corrosion Resistance:	Complies with ASTM B117 standard
Ingress Protection Rating:	IP67
Impact Resistance Rating:	IK09
Humidity (max.):	0 to 98%, non-condensing

Certification

EU Safety:	EN 60598-1, EN 60598-2-3, EN 62471, EN 60950-1, EN 60950-22, EN 60529, EN 62262
EU EMC:	EN 55024, EN 55032, EN 61000-4-2, EN 61000-4-3, EN 61000-4-4, EN 61000-4-5, EN 61000-4-6, EN 61000-4-8
US Safety:	UL 1598, UL 60950-1, UL 60950-22
US EMC:	FCC Part 15 Class A
Warranty:	5-year Limited Warranty

PD60 RGBW Series

Specification

Direct View

Dome Diffused

Output

Light Source:	12pcs High intensity 4 in 1 Chip RGBW LEDs	
Lumen Maintenance:	60.000 > hours L70 @ 50° C (full output)	
Color Range:	16.7 Million additive RGB colors, white CCT 6500K	
Beam Angle:	105°	170°
Luminous Flux:	162 lm	87 lm
Luminous Intensity:	69 cd	16 cd
Efficacy (lm/W):	38 lm/W	20 lm/W

*Photometric performance is measured in compliance with IESNA LM 79-08

Control & Programming

Color Resolution:	4 x 14-bit (Gamma correction)
Auto White:	Algorithms enable auto control of white LED by 3-channel RGB values
Addressing:	RDM (Group of Remote Addressable Systems)
Monitoring:	Voltage Monitoring, Temperature Monitoring, Status Monitoring, Power Cycle Monitoring, Lumen-Maintenance Life Monitoring
PWM Frequency:	1,600Hz flicker free dimming to 0.1%
DMX Compliance:	USITT DMX512-1990
RDM Compliance:	ANSI/ESTA E1.20-2010

Electrical

Operating Voltage:	48VDC
Power Consumption:	4,32W Maximum at full output, steady state
Maximum in Chain:	Max 32 pieces
Connections:	Push Lock Type 2+4 Pin Waterproof Connector

Physical

Housing:	Die-Cast Aluminium
Front Material:	Die-Cast Polycarbonate UV and impact resistant opal or clear diffuser
Hardware:	Stainless Steel
Gasket:	Silicon
Surface Finish:	RAL 9005 Electrostatically polyester powder coat (standard) or Custom Any RAL (optional)

Measurements:

Weight:	0,330Kg (0,720lb)	0,310Kg (0,680lb)
Dimensions: (H x W x D)	52x90x76,2mm 2x3,54x3in	75,3x90x76,2mm 3x3,54x3in

Environmental

Storage Temperature:	-40°C - 85°C - (-40°F - 185°F)
Start-up Temperature:	-25°C - 50°C - (-13°F - 122°F)
Operating Temperature:	-40°C - 50°C - (-40°F - 122°F)
Thermal Protection:	Automatic over temperature protection
Cooling:	Cooling by free air convection
Vibration Resistance:	Complies with ANSI C136.31-2010
Corrosion Resistance:	Complies with ASTM B117 standard
Ingress Protection Rating:	IP67
Impact Resistance Rating:	IK09
Humidity (max.):	0 to 98%, non-condensing

Certification

EU Safety:	EN 60598-1, EN 60598-2-3, EN 62471, EN 60950-1, EN 60950-22, EN 60529, EN 62262
EU EMC:	EN 55024, EN 55032, EN 61000-4-2, EN 61000-4-3, EN 61000-4-4, EN 61000-4-5, EN 61000-4-6, EN 61000-4-8
US Safety:	UL 1598, UL 60950-1, UL 60950-22
US EMC:	FCC Part 15 Class A
Warranty:	5-year Limited Warranty

PD60 DW Series

Specification

Direct View

Dome Diffused

Output

Light Source:	18pcs 2700K LEDs + 18pcs 6500K LEDs
Lumen Maintenance:	60.000 > hours L70 @ 50° C (full output)
Color Range:	Color temperatures ranging from 2700 K to 6500 K
Ra(CRI):	
Beam Angle:	
Luminous Flux:	
Luminous Intensity:	
Efficacy (lm/W):	

*You can reach photometric datas (Ra(CRI), Beam Angle, Luminous Flux, Luminous Intensity, Efficacy) through "Photometric Measurement Report" in the web site
*Photometric performance is measured in compliance with IESNA LM 79-08

Control & Programming

Color Resolution:	2 x 14-bit (Gamma correction)
Addressing:	RDM (Group of Remote Addressable Systems)
Monitoring:	Voltage Monitoring, Temperature Monitoring, Status Monitoring, Power Cycle Monitoring, Lumen-Maintenance Life Monitoring
PWM Frequency:	1,600Hz flicker free dimming to 0.1%
DMX Compliance:	USITT DMX512-1990
RDM Compliance:	ANSI/ESTA E1.20-2010

Electrical

Operating Voltage:	48VDC
Power Consumption:	2,4W
Maximum in Chain:	32 Pcs.
Connections:	Push Lock Type 2+4 Pin Waterproof Connector

Physical

Housing:	Die-Cast Aluminium
Front Material:	Die-Cast Polycarbonate UV and impact resistant opal or clear diffuser
Hardware:	Stainless Steel
Gasket:	Silicon
Surface Finish:	RAL 9005 Electrostatically polyester powder coat (standard) or Custom Any RAL (optional)

Measurements:

Weight:	0,330Kg (0,720lb)	0,310Kg (0,680lb)
Dimensions: (H x W x D)	52x90x76,2mm 2x3,54x3in	75,3x90x76,2mm 3x3,54x3in

Environmental

Storage Temperature:	-40°C - 85°C - (-40°F - 185°F)
Start-up Temperature:	-25°C - 50°C - (-13°F - 122°F)
Operating Temperature:	-40°C - 50°C - (-40°F - 122°F)
Thermal Protection:	Automatic over temperature protection
Cooling:	Cooling by free air convection
Vibration Resistance:	Complies with ANSI C136.31-2010
Corrosion Resistance:	Complies with ASTM B117 standard
Ingress Protection Rating:	IP67
Impact Resistance Rating:	IK09



PD60 Series

Fixtures

PD60 RGB Series



P01003085 PD60-RGB 3Ch. DMX Direct View Pixel Dot
P01004085 PD60S-RGB 3Ch. DMX Direct View Pixel Dot



P01005085 PD60-RGB 3Ch. DMX Dome Pixel Dot
P01009085 PD60S-RGB 3Ch. DMX Dome Pixel Dot

PD60 RGBW Series



P01003105 PD60-RGBW 4Ch. DMX Direct View Pixel Dot
P01004105 PD60S-RGBW 4Ch. DMX Direct View Pixel Dot



P01005105 PD60-RGBW 4Ch. DMX Dome Pixel Dot
P01009105 PD60S-RGBW 4Ch. DMX Dome Pixel Dot

PD60 DW Series



P01003125 PD60-DW 2Ch. DMX Direct View Pixel Dot
P01004125 PD60S-DW 2Ch. DMX Direct View Pixel Dot



P01003125 PD60-DW 2Ch. DMX Direct View Pixel Dot
P01004125 PD60S-DW 2Ch. DMX Direct View Pixel Dot

PD60 Series

Accessories, Cables, Power/Data Supplies

Cables



P20201-0.5 Push Lock Type 2+4 Pin 0.5M Extension Cable
P20201-0.75 Push Lock Type 2+4 Pin 0.75M Extension Cable
P20201-1 Push Lock Type 2+4 Pin 1M Extension Cable
P20201-1.5 Push Lock Type 2+4 Pin 1.5M Extension Cable
P20201-2 Push Lock Type 2+4 Pin 2M Extension Cable
P20201-2.5 Push Lock Type 2+4 Pin 2.5M Extension Cable
P20201-3 Push Lock Type 2+4 Pin 3M Extension Cable
P20201-3.5 Push Lock Type 2+4 Pin 3.5M Extension Cable
P20201-4 Push Lock Type 2+4 Pin 4M Extension Cable
P20201-5 Push Lock Type 2+4 Pin 5M Extension Cable
P20201-7.5 Push Lock Type 2+4 Pin 7.5M Extension Cable
20201-10 Push Lock Type 2+4 Pin 10M Extension Cable
P20201-15 Push Lock Type 2+4 Pin 15M Extension Cable
P20201-20 Push Lock Type 2+4 Pin 20M Extension Cable

Power/Data Supplies



P08002 Power Pack 320 320W 2 Outputs Power Supply
P08003 Power Pack 500 500W 2 Outputs Power Supply
P08004 Power Pack 1000 1000W 8 Outputs Power Supply
P08013 Power Pack 2000 2000W 8 Outputs Power Supply

Accessories



P20203 Push Lock Type 2+4 Pin Female Plug Cap

Reference Name: Granada Luxury Belek
Location: Alanya / Turkey
Date: 2015

Lighting concept for hotels is not only about using good products but also about using the right products. It is about creating ambience and unforgettable guest experience. The sophisticated view of the Granada Hotel, displays our unique expertise and puts us at the leading edge in the media facade lighting area.

Products used:

HERA Ledstrip 30 WW 3000K	3345 meter
HERA Procolor 35 WW 3000K	182 pieces
HERA Procolor 10 WW 3000K	486 pieces
HERA PD 60S WW 3000K Pixel Dot	5323 pieces
HERA PD 130 WW 3000K Pixel Dot	11779 pieces
HERA Power Pack 320-48 Power Supply	248 pieces
HERA X-CV3 DMX Driver	720 pieces
MADRIX Luna 16	7 pieces
MADRIX Luna 8	2 pieces
MADRIX KEY Ultimate	1 pieces





Reference Name: Delphin Botanik
Location: Alanya / Turkey
Date: 2012

Delphin Botanik Exclusive Resort is like a bridge between blue and green. In this premise, you can witness a dance of all colors, from day to night. Delphin Botanik Resort Hotel, which has become a popular place for vacation, is waiting for you with its all glory and totally new appearance in Antalya. If you ever enter this glittering world, you will meet our innovative product lines used within this high-end, high-tech hotel project.

Products used:

HERA Ledstrip 30 RGB	4260	meter
HERA X-CV3 DMX Driver	55	pieces
HERA PD 60 RGB Pixel Dot	360	pieces
HERA Power Pack 320-48 Power Supply	12	pieces
MADRIX Luna 4	8	pieces
MADRIX KEY Professional	1	pieces



HERA EĞLENCE VE MİMARİ AYDINLATMA SİSTEMLERİ A.Ş
Gullubaglar Mah. Kahramanlar Cad. No:3-1
34906 Pendik / Istanbul / Turkey
+90 216 307 79 00
+90 216 307 79 02

www.heraled.com
info@heraled.com