

**WARNINGS**



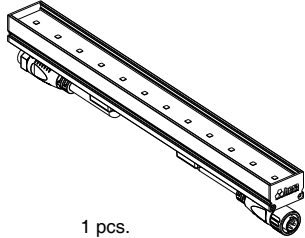
- Mains power must be switched off before installing products.
- The connection, installation, commissioning and assembly operations of the products must be performed by qualified technicians.
- Do not install wet, deformed or defective products and equipments, do not provide power, please contact the nearest technical service.
- Install the products only in accordance with the connection patterns specified in the relevant Specification Sheet.
- Do not open or attempt to repair the products and connection equipments.

**WARNINGS**

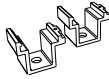


- Do not open extra holes on products for mounting and protect products from impacts.
- Do not install the products except as described below.
- Different installation of products may cause products to malfunction or hazardous conditions.
- Use recommended mounting equipments for products.
- This product is not suitable for indoor use. Electric shock may pose a risk of fire or combustion.
- Please follow the steps below when installing the products

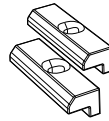
### Packing Contents



1 pcs.  
Sword® Series



2 pcs.  
Mounting Bracket



2 pcs.  
Mount



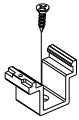
2 pcs.  
Screw



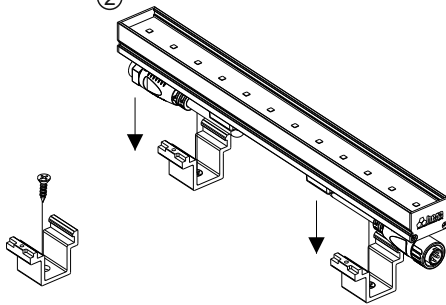
Installation Guide

### Installation

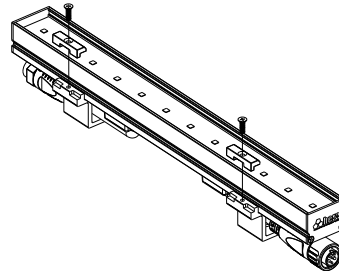
①



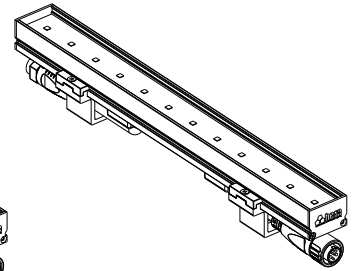
②



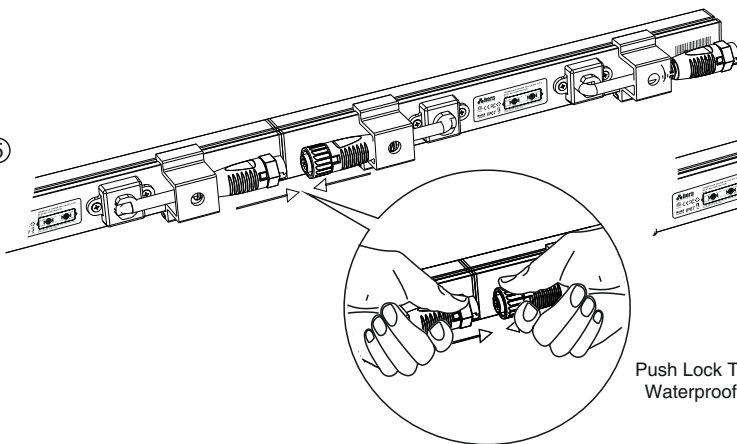
③



④

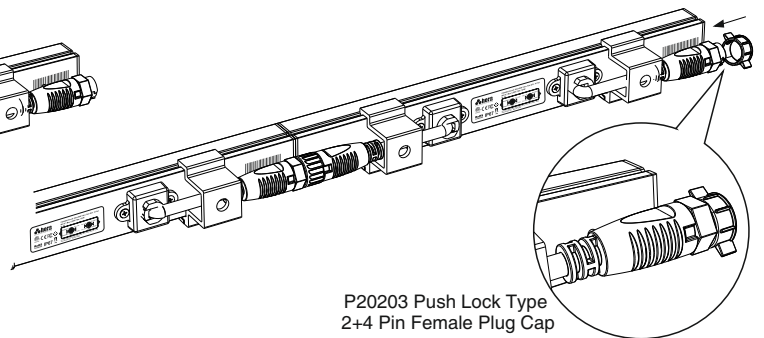


⑤



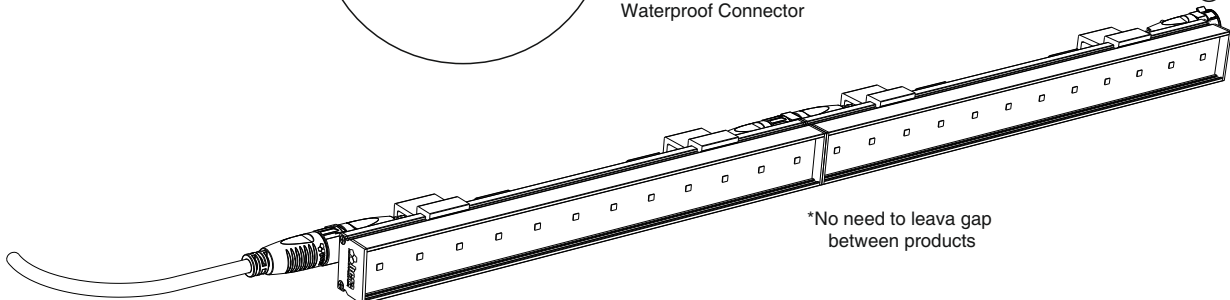
Push Lock Type 2+4 Pin  
Waterproof Connector

⑥



P20203 Push Lock Type  
2+4 Pin Female Plug Cap

⑦



\*No need to leave a gap  
between products