

**WARNINGS**



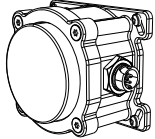
- Mains power must be switched off before installing products.
- The connection, installation, commissioning and assembly operations of the products must be performed by qualified technicians.
- Do not install wet, deformed or defective products and equipments, do not provide power, please contact the nearest technical service.
- Install the products only in accordance with the connection patterns specified in the relevant Specification Sheet.
- Do not open or attempt to repair the products and connection equipments.

**WARNINGS**



- Do not open extra holes on products for mounting and protect products from impacts.
- Do not install the products except as described below.
- Different installation of products may cause products to malfunction or hazardous conditions.
- Use recommended mounting equipments for products.
- This product is not suitable for indoor use. Electric shock may pose a risk of fire or combustion.
- Please follow the steps below when installing the products

**Packet Contents**

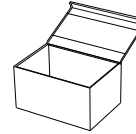


1 Pcs. PD60 Series



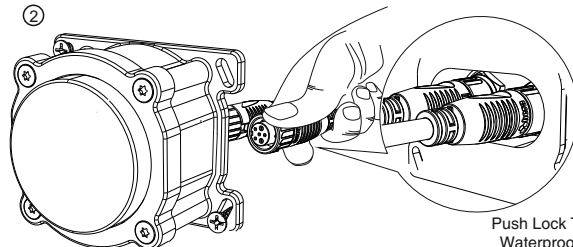
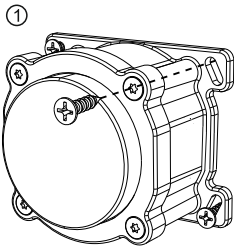
Installation Guide

**Box Dimension HxWxD**

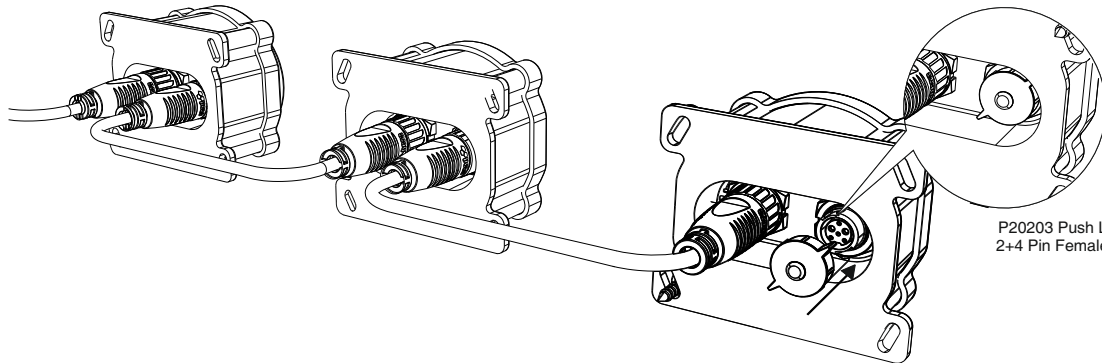


P D60 Series Direct View Pixel Dot : 76x100x80mm  
P D60 Series Dome Pixel Dot : 55x100x80mm

**PD60 Installation**

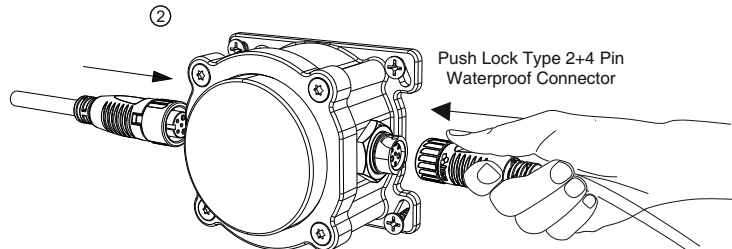
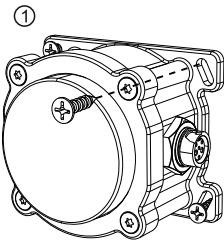


Push Lock Type 2+4 Pin Waterproof Connector

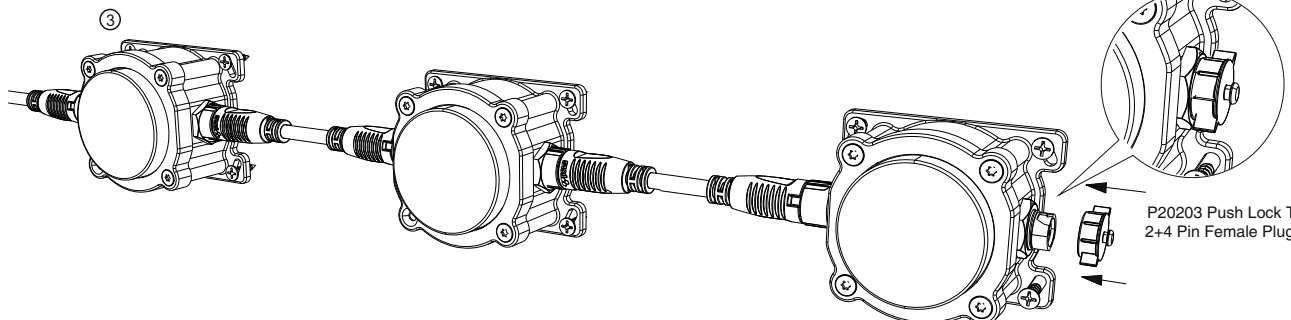


P20203 Push Lock Type 2+4 Pin Female Plug Cap

**PD60S Installation**



Push Lock Type 2+4 Pin Waterproof Connector



P20203 Push Lock Type 2+4 Pin Female Plug Cap