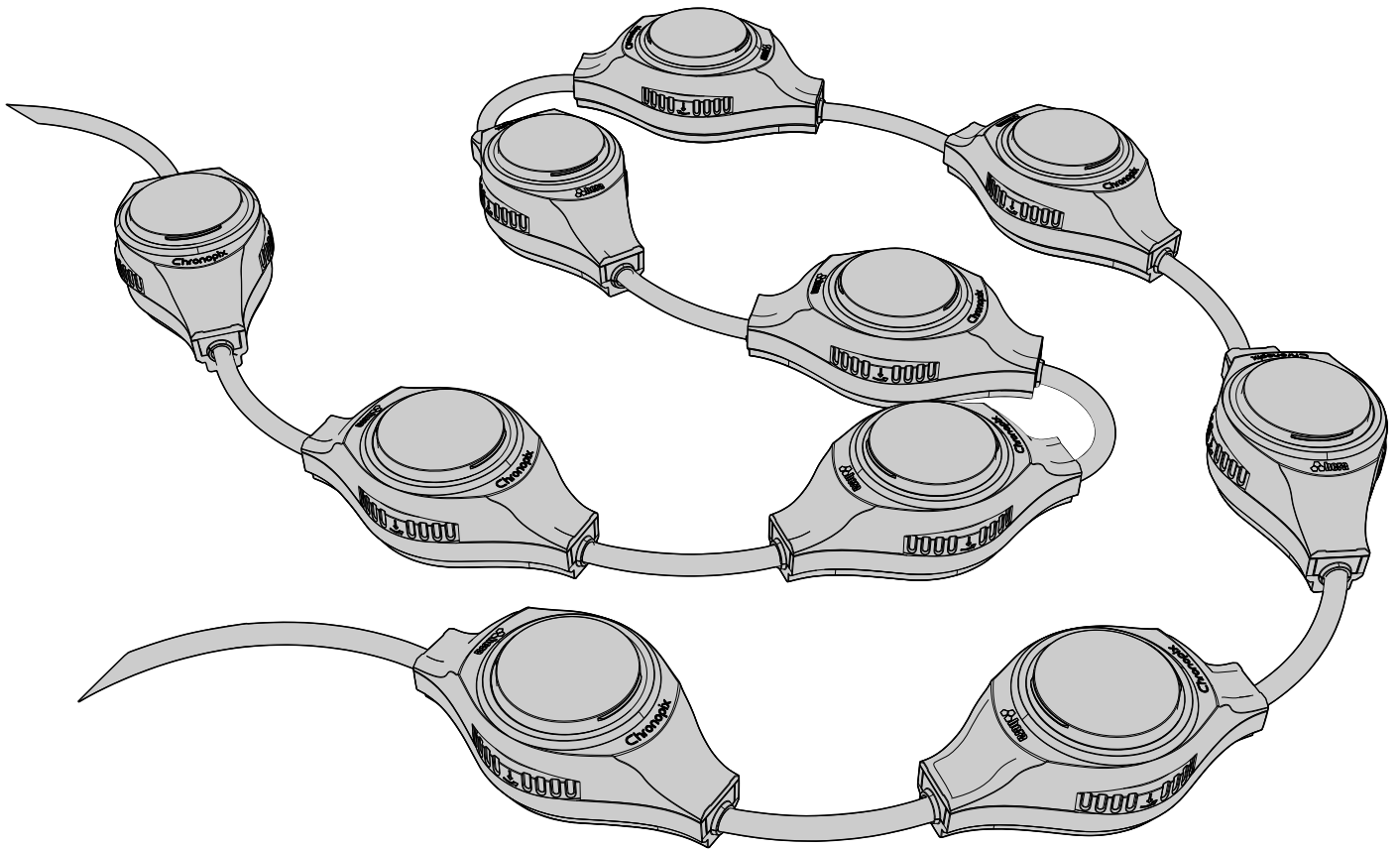


CHRONOPIX[®] SERIES

Installation Guide

V.1.0

Date _____
Company _____
Project _____



CE **FC** **RoHS**
compliant

IP67 **IK09** **100**
Hours
Testing

5 Year
Warranty

LCS™ **Locked**
Connection
System



READ THESE INSTRUCTIONS BEFORE INSTALLING, OPERATING AND COMMISSIONING THE PRODUCTS

The following symbols are used in this document to define the product and important safety information.



WARNING

Read this installation guide before installing Hera LED products and keep it for future reference. Apply the precautions given in the safety instructions document and in the user manuals for all devices. Pay attention to all warnings given in the user manuals and warnings printed on the products. The technical person authorized to use, connect and activate Hera LED products must read and adhere to the warnings contained in the instructions.



Install devices only in accordance with the connection diagrams specified in the relevant operating instructions.

Only use specified devices and connection elements that Hera LED recommends in the user manuals.

Connection, installation and commissioning of devices must be carried out by expert technicians.

Hera LED products are not suitable for home use unless otherwise indicated. Such type of usage can cause risks of serious injury or death due to potential fire hazard, and electric shock.



Hera LED products should not be repaired by the user, such repair should be done by expert technicians.

The LEDs of Hera LED products are irreplaceable. Do not attempt to replace or repair any part of the products, including LEDs. Contact your nearest Hera LED representative for repairs, connections, service etc. (www.heraled.com)

PROTECTION AGAINST ELECTRIC SHOCKS



Read and follow the instructions in the user manuals for all devices you want to connect.

When connecting products, check the system layout; connections to specified devices; specified cables; maximum cable length; and maximum number of products that can be connected, in the corresponding user guide.

Make the product connections with the cables specified on Hera LED website, do not use any non-original cables or connection equipment.

Do not extend cables that are not of the required lengths, ask Hera LED for help with this issue.

Do not throw foreign objects into the devices.

Connect products using the power sources specified in the user manuals.

Turn off the power when servicing and when not in use.



Make sure that all power distribution equipment and cables are plugged in before powering up the installation.

Do not use products that are damaged, defective, or show signs of moisture or overheating. If the product is connected to the system, immediately turn off the electrical connection.

When making product connections, check the necessary electrical supplies in the user manuals.

Do not open the product or connection equipment, and do not attempt to repair it.

Keep away from liquids, do not immerse in water or expose to high-pressure water jets.

BURNOUT AND FIRE PROTECTION



Hera LED products are cooled by convection and provide adequate ventilation by providing free airflow around the product.

If the ambient temperature around the fixtures exceeds 55 °C, do not use and turn off the system.

Only use specified devices and connection elements that Hera LED recommends in the user manuals.

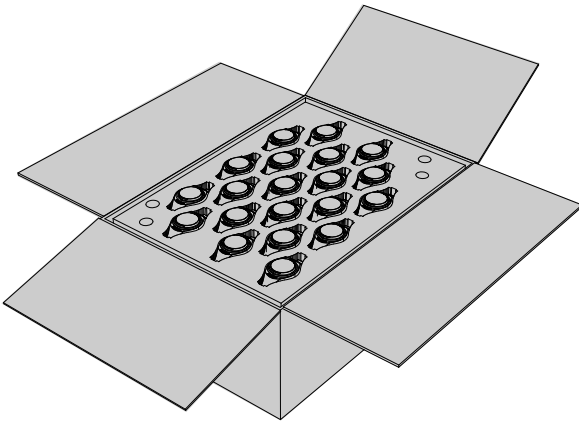
Connect products using the power supply specified in the user manuals.



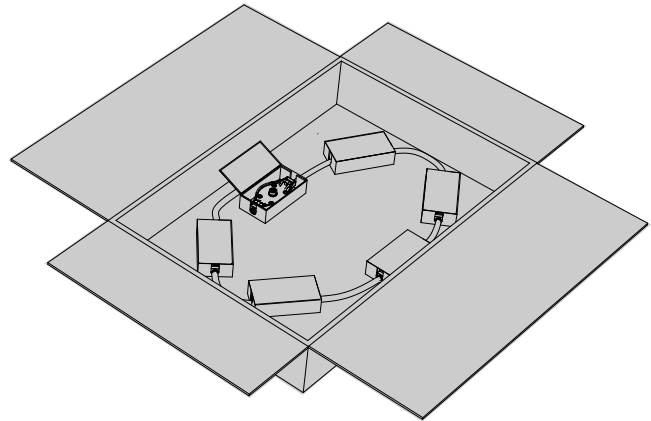
DISPOSAL

Dispose in accordance with DIRECTIVE 2012/19/EU Electrical and Electronic Products Regulations.

Packaging



Chronopix chain upper modules are packaged with twenty protective polyurethane sponge separators, and transferred in a durable cardboard box.



Chronopix chain lower modules are packaged using durable cardboard box separators specially produced for each product, to ensure safe transfer.

Labelling

Manufacturer Logo

Product Electrical Information

Product Model Code

Product Model Description

Lower Module Serial Number

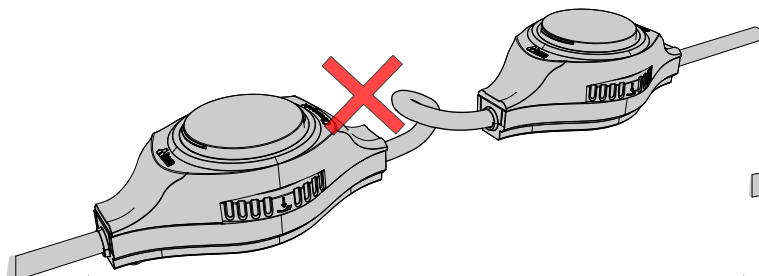
International Qualification Markings

100 hour testing certified marking

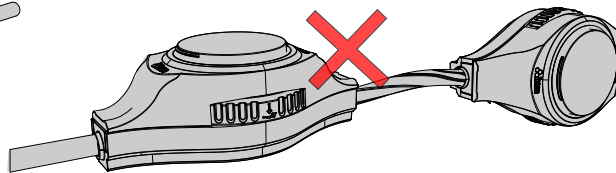
Connector Diagram

Upper Module Serial Number

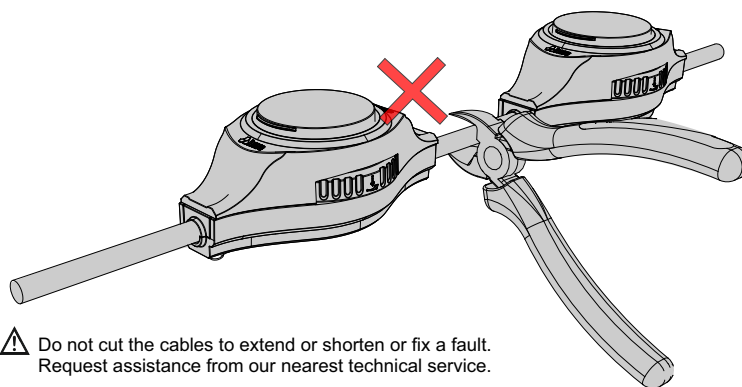
hera
 entertainment & architecture lighting
 CE FC
 RoHS compliant IP67
 100 Hours Testing
 P0102510505002050100
 Chronopix® RGBW 50cm Pixel Pitch 2 pcs. Set
 9005-Black Body
 48V DC / Max. 0,100A / Max. 4,8W
 Input
 White DMX (+) BlueDMX (-)
 Red (+) Black (-)
 GND
 www.heraled.com Made in Turkey
 Serial No. 14810-00001



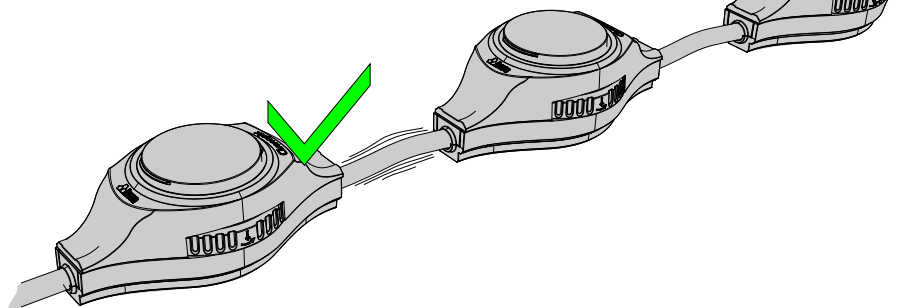
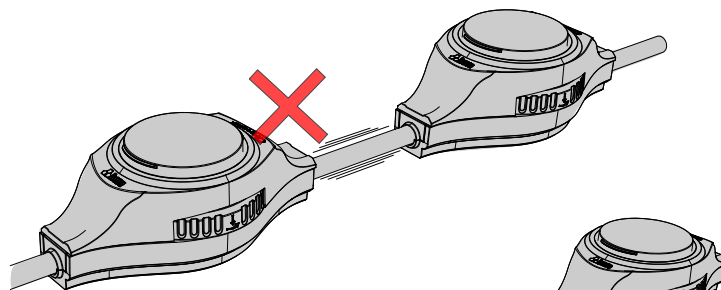
⚠ Do not install the chain product cables by knotting.



⚠ Do not install products by forcing cables in opposite directions to each other.

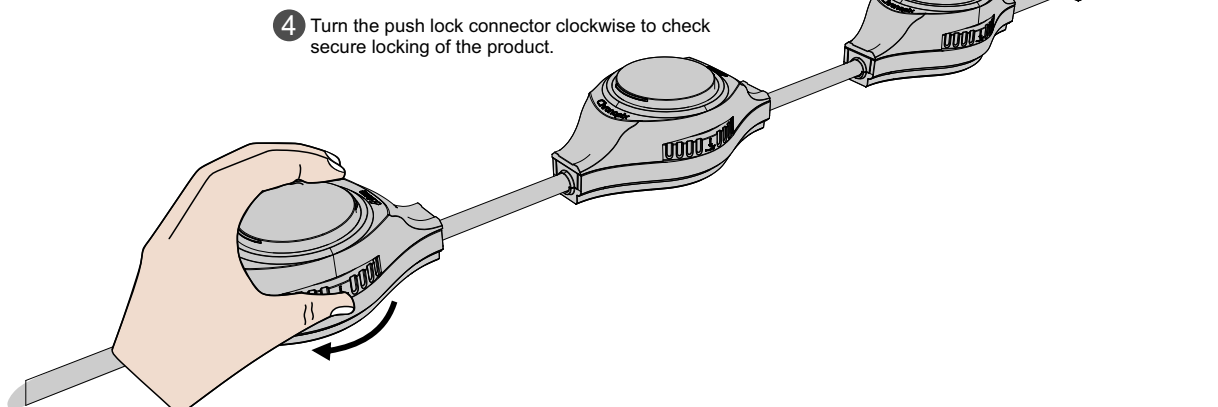
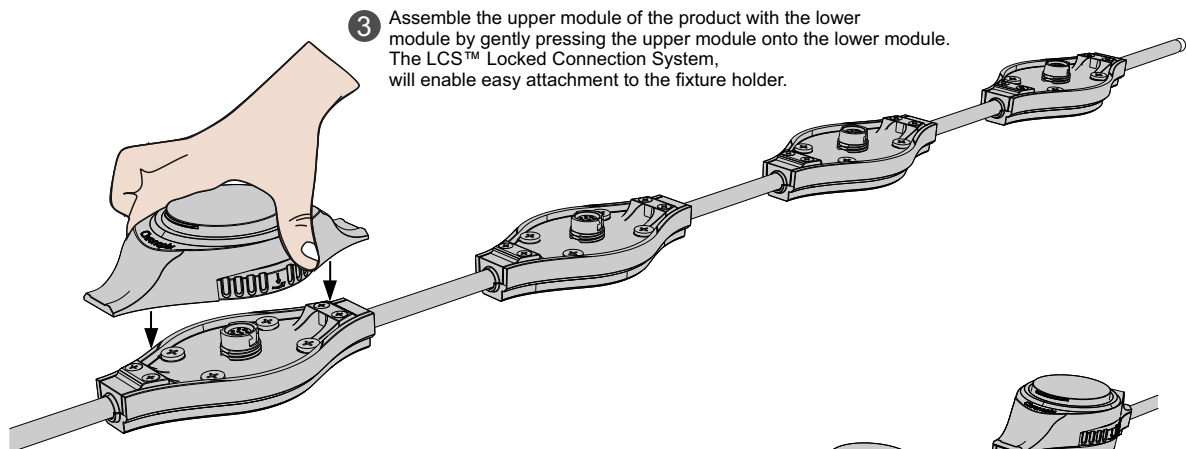
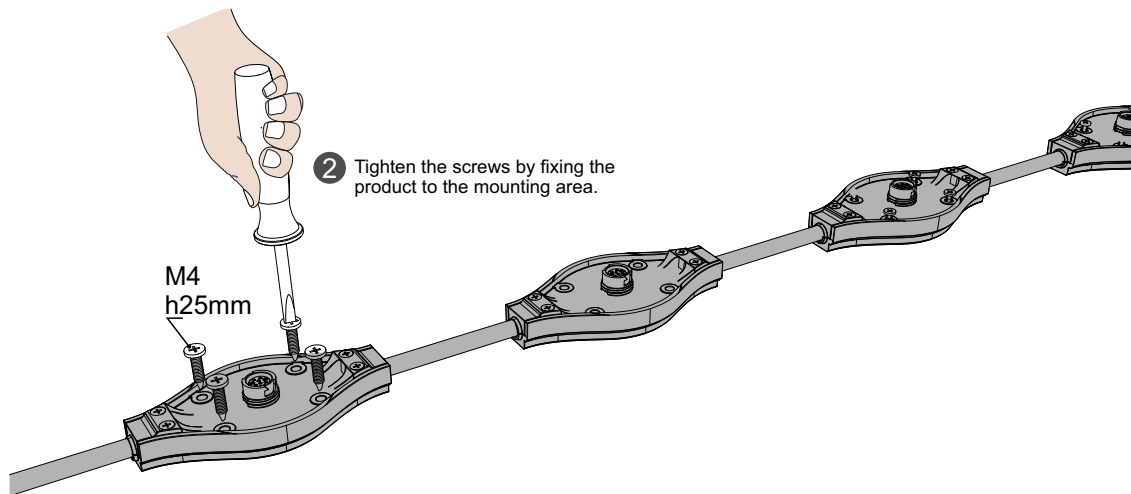
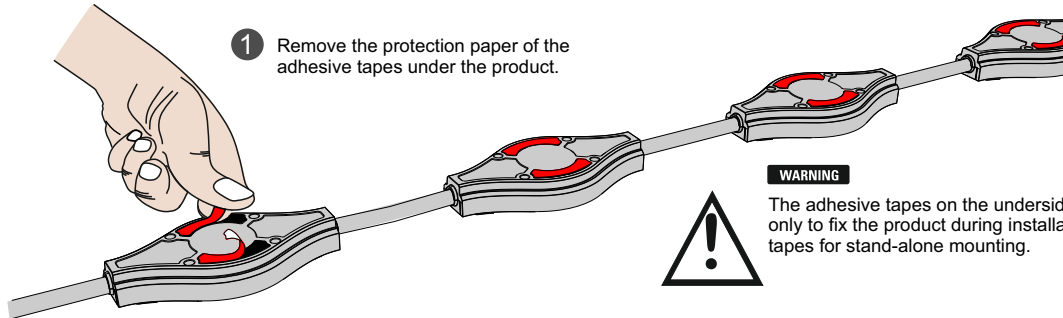


⚠ Do not cut the cables to extend or shorten or fix a fault. Request assistance from our nearest technical service.

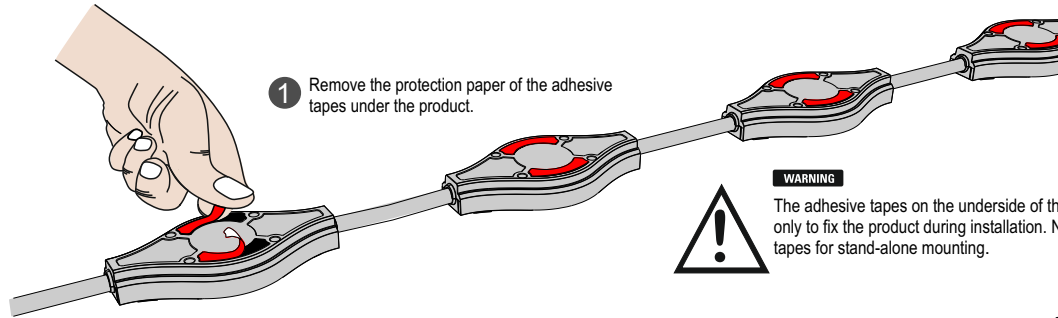


⚠ Do not install by stretching the cables when installing the chain lower module. Install the cables by keeping them as loose as possible.

Screw Mounting



Screw-Free Mounting

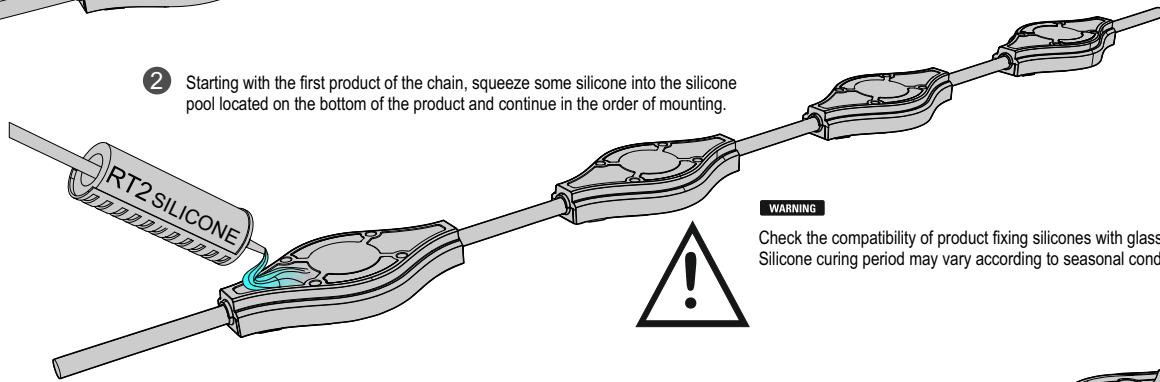


- 1 Remove the protection paper of the adhesive tapes under the product.



WARNING

The adhesive tapes on the underside of the product are used only to fix the product during installation. Never use adhesive tapes for stand-alone mounting.

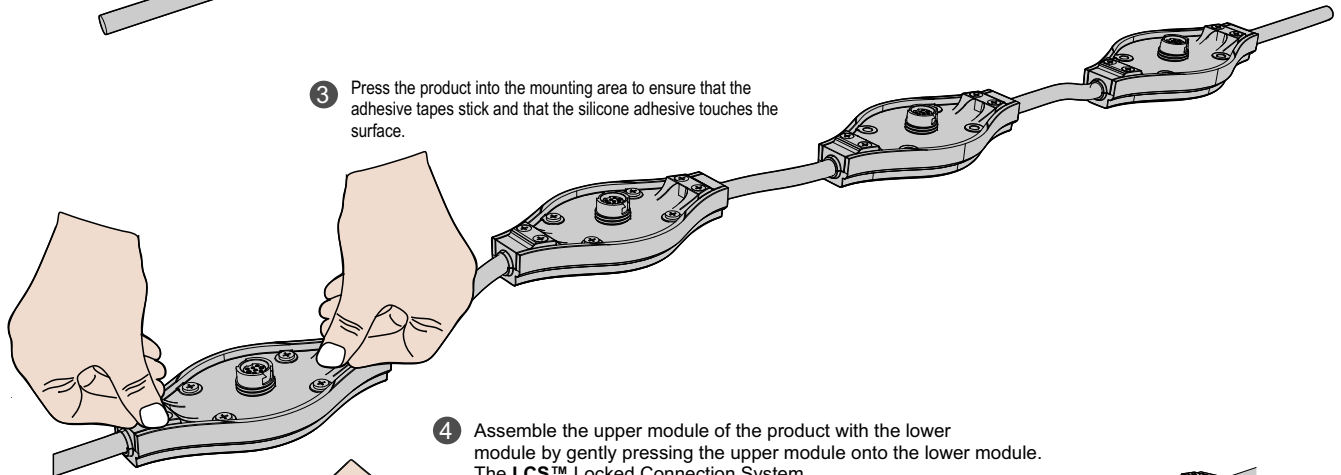


- 2 Starting with the first product of the chain, squeeze some silicone into the silicone pool located on the bottom of the product and continue in the order of mounting.

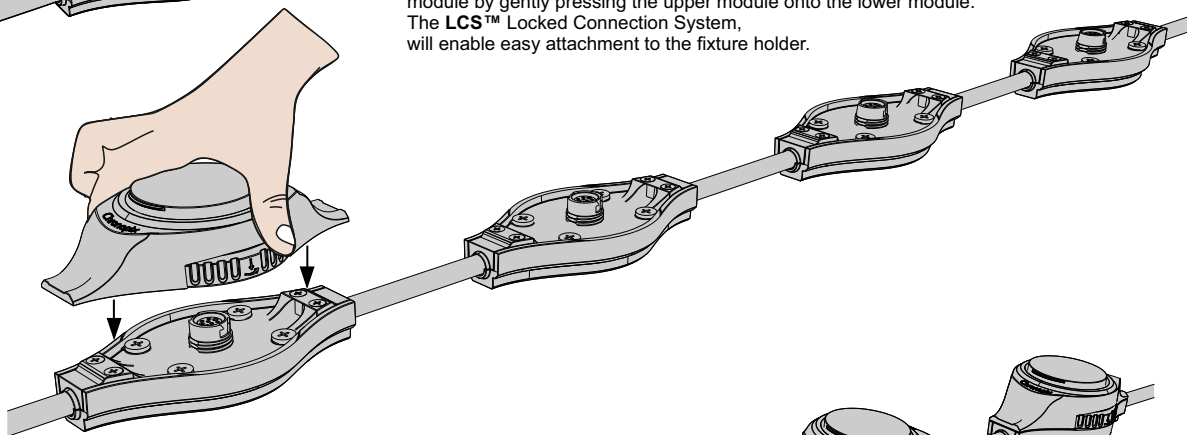


WARNING

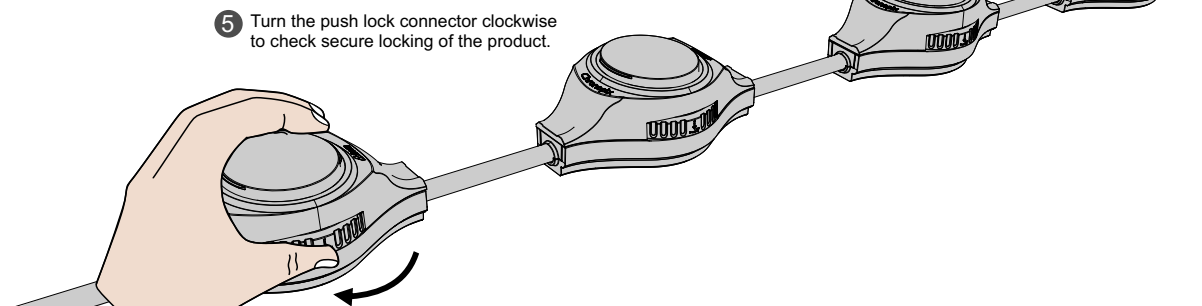
Check the compatibility of product fixing silicones with glass and smooth surfaces. Silicone curing period may vary according to seasonal conditions.



- 3 Press the product into the mounting area to ensure that the adhesive tapes stick and that the silicone adhesive touches the surface.



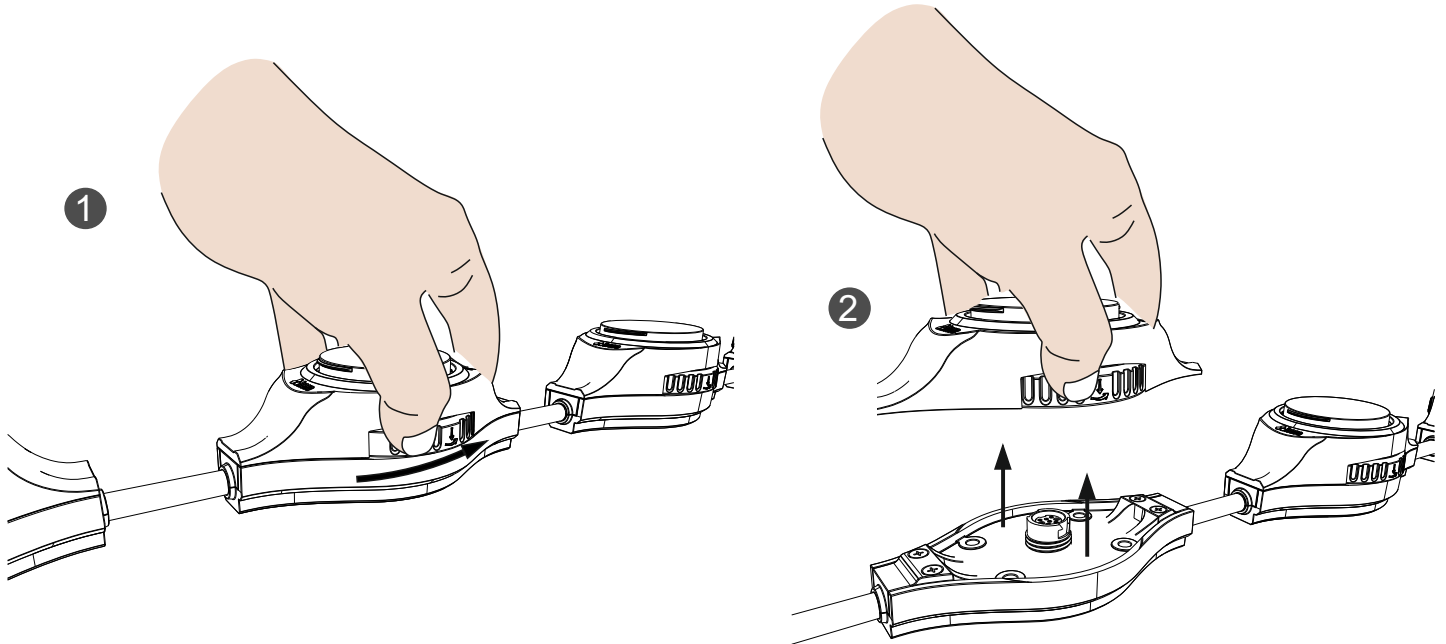
- 4 Assemble the upper module of the product with the lower module by gently pressing the upper module onto the lower module. The LCS™ Locked Connection System, will enable easy attachment to the fixture holder.


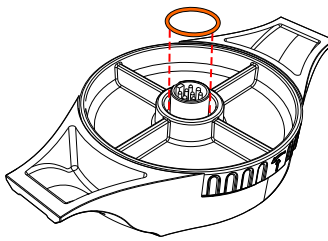


- 5 Turn the push lock connector clockwise to check secure locking of the product.

Disassembly & Assembly

The LCS™ Locked Connection System, enables the fixture to be easily separated from the holder. To remove the fixture, turn the lock mechanism in the direction of the arrow and pull the fixture towards you.





WARNING

The O-Ring in the upper connector may dislocate due to air pressure. Place the dislocated O-Ring back in its place



**HERA EĞLENCE VE MİMARİ AYDINLATMA
SİSTEMLERİ İÇ VE DIŞ TİCARET A.Ş.**

Güllübağlar Mah. Kahramanlar Cad. No 3/1
34906 Pendik / İSTANBUL / TÜRKİYE
T: 0216 307 79 00 (pbx) F: 0216 307 79 02

www.heraled.com info@heraled.com

