

MOleLine[®]
M 6 s e r i e s



Creativity & Result

Inground Wallwashers

MOleline®
M 6 s e r i e s



Moleline® M6 series is formed of high performance, inground, strong lighting fixtures for outdoor wall-washer applications. The design of these inground wallwashers makes it possible to fully illuminate a vertical surface from the ground up. They are designed for long life time and high efficiency to solve all problems in architectural applications.

Through its IP67 protection class and IK08 strength rating, Moleline® can be safely used in ground-recessed applications. Despite its unusual durability, it has a linear, aesthetic and minimal appearance.

Moleline M6 is available in RGBW option with 6 High Power LEDs.

Both Moleline® M6 Series wallwashers are highly used in architectural lighting, historical monuments, museums, bridges and other special facade lighting applications. Both are fully DMX and RDM compatible.

With these traits, Moleline installations provide most sophisticated wall-washer applications in facade lighting design.

Technology That Pushes

Limits

Technology for Innovators

RDM Monitoring

The lighting controls industry has evolved in favour of RDM. DMX512, the control standard across entertainment & architecture lighting controls, now offers two-way communications for configuration, monitoring and system setup via RDM protocol.

RDM is a killer way to work with your fixtures that are in the air while you are on the ground.

Did a stagehand or technician address 2 lights to the same address? Are some or all of your fixtures in the wrong mode? With RDM, you can change any of these things and more. Depending on your RDM controller, you either can work with 1 fixture at a time, or make changes to a number of fixtures very quickly.

In days before RDM, accessing functions and diagnostics of your fixture like the DMX address, control mode, lamp hour, and fan speed meant you had to be next to the fixture whether it was on the ground or 200 meters up in the air!

The RDM Protocol provides configuration and feedback from architecture lighting, theatre lighting systems, live events, and more. It works by sending pulses of data down the DMX line in-between the normal DMX commands. RDM actually communicates down the same lines as your DMX.

Many consoles and devices allow you to scan for RDM on an as-needed basis, or you can leave your RDM functionality on full-time. Hera LED fixtures, power supplies and splitters are completely compatible and compliant with RDM and have RDM monitoring features via Madrix controllers and software.



Madrix Radar Software

Hera LED's DMX lighting fixtures are also equipped with Remote Device Management. It is a two-way communication for receiving instructions as well as sending out feedback.

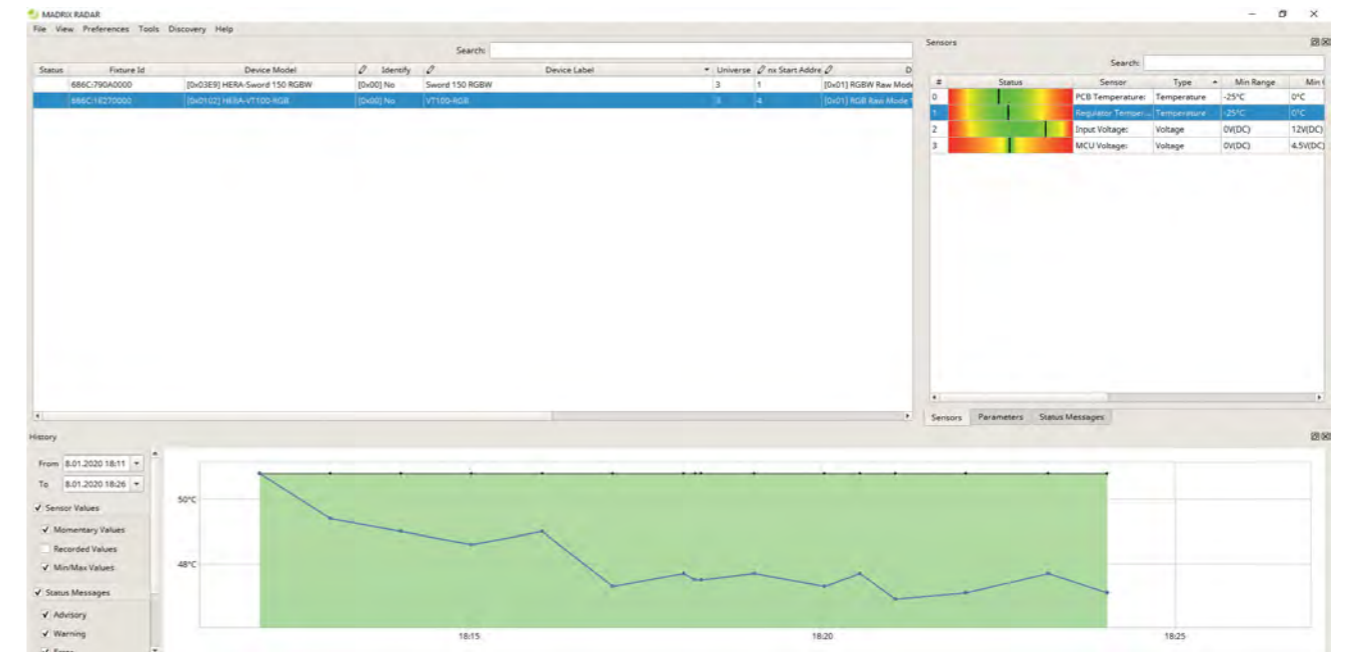
When devices report back data, you gain access to a whole new level of available information, insights, and control. MADRIX® RADAR is the complete toolbox to make the most of this data; automatically and efficiently.

With MADRIX® RADAR, one can supervise all lighting fixtures in a single software and handle large amounts of RDM devices. It is a new kind of application that opens up entirely new possibilities for you and your clients. MADRIX® RADAR includes automatic fixture patching, fully automatic 24/7 device monitoring, automatic e-mail notifications, and much more. This new software will allow you to configure settings remotely in an easy manner, monitor devices automatically for you, quickly see the results in graphical overviews at a single glance. That means that your setup and maintenance processes are much faster, much easier, and much more cost-efficient than ever before.

You can build a database of past sensor data and see the progression of device parameters, such as temperature and operating hours and exchange devices that are likely to fail soon. This way your maintenance costs are much more predictable.

Visualise how your system works.
Provide unparalleled support for each installation.
Start offering all-new benefits to your clients.
Unleash the full potential of RDM.

#	Status	Sensor	Type	Min Range	Min Okay	Min Detected	Value	Max Detected	Max Okay	Max Range	Record Value Support	Rec
0		PCB Temperature	Temperature	-25°C	0°C	0°C	35.8°C	38.5°C	85°C	125°C	[0x01] Recorded Value Supported	
1		Regulator Temper...	Temperature	-25°C	0°C	0°C	47.1°C	50.8°C	85°C	125°C	[0x01] Recorded Value Supported	
2		Input Voltage	Voltage	0V(DC)	12V(DC)	0V(DC)	46.9V(DC)	47V(DC)	55V(DC)	60V(DC)	[0x01] Recorded Value Supported	
3		MCU Voltage	Voltage	0V(DC)	4.5V(DC)	0V(DC)	4.9V(DC)	4.9V(DC)	5.5V(DC)	10V(DC)	[0x01] Recorded Value Supported	



**UNLEASH THE FULL
POTENTIAL OF RDM**

**AUTOMATIC E-MAIL
NOTIFICATIONS**

**FULLY AUTOMATIC 24/7
DEVICE MONITORING**

**INTRODUCING
MADRIX RADAR**

TRANSFORM HOW YOU WORK WITH LUMINARIES. EASILY CONFIGURE SETTING REMOTELY. LET THE SOFTWARE MONITOR DEVICES AUTOMATICALLY FOR YOU

PROVIDE UNPARALLELED SUPPORT FOR EACH INSTALLATION. START OFFERING ALL NEW BENEFITS TO YOUR CLIENTS

BUILD A DATABASE OF PAST SENSOR DATA AND SEE THE PROGRESS ON OF DEVICE PARAMETERS. SUCH AS TEMPERATURE AND OPERATING HOURS

FULLY AUTOMATIC 24/DEVICE MONITORING. AUTOMATIC E-MAIL NOTIFICATIONS. UNLEASH THE FULL POTENTIAL OF RDM

Continuous Monitoring on Sensor Data

Let the software monitor all of your devices 365 days a year, 7 days a week, 24 hours a day. It does so fully automatically without any required supervision.

MADRIX® RADAR checks the status of devices, such as voltage, temperature, status, power cycle, life cycle, and more. Graphical overviews allow you to quickly see if a sensor value is within its specified limits or out of its valid range.

Simplified Fixture Addressing by Addressing

Easily set up your RDM devices remotely. You can perform any configuration conveniently from your computer; instead of requiring direct access to the devices.

Fast Workflow with Powerful Automation

Drastically reduce the time-consuming process of configuring a large number of devices. Use the built-in search function and change settings of a single device or select several entries to quickly make multiple changes at once.

Let the software automatically patch all fixtures in a single DMX universe or across the entire range of addresses. Simply use drag and drop to put them in the correct order.

Fixture Discovery and Full Support on RDM

Use the built-in highlight mode to let a fixture flash with full-on white for quick identification of fixtures. See if devices correctly responds to DMX commands.

MADRIX® RADAR supports all RDM parameters detailed in the official protocol specifications of ANSI E1.20 and ANSI E1.37-1 over Art-Net.

Automatic Notifications and Event Reports

In addition to merely requesting and receiving information, the software will apply its own logical routines in order to create events for you. By probing and validating incoming data, MADRIX® RADAR provides actionable reports for you.

If MADRIX® RADAR detects any irregularities, you can receive automatic status updates within the software, run a PowerShell script, or let the system conveniently send you e-mails.

Invaluable Data History

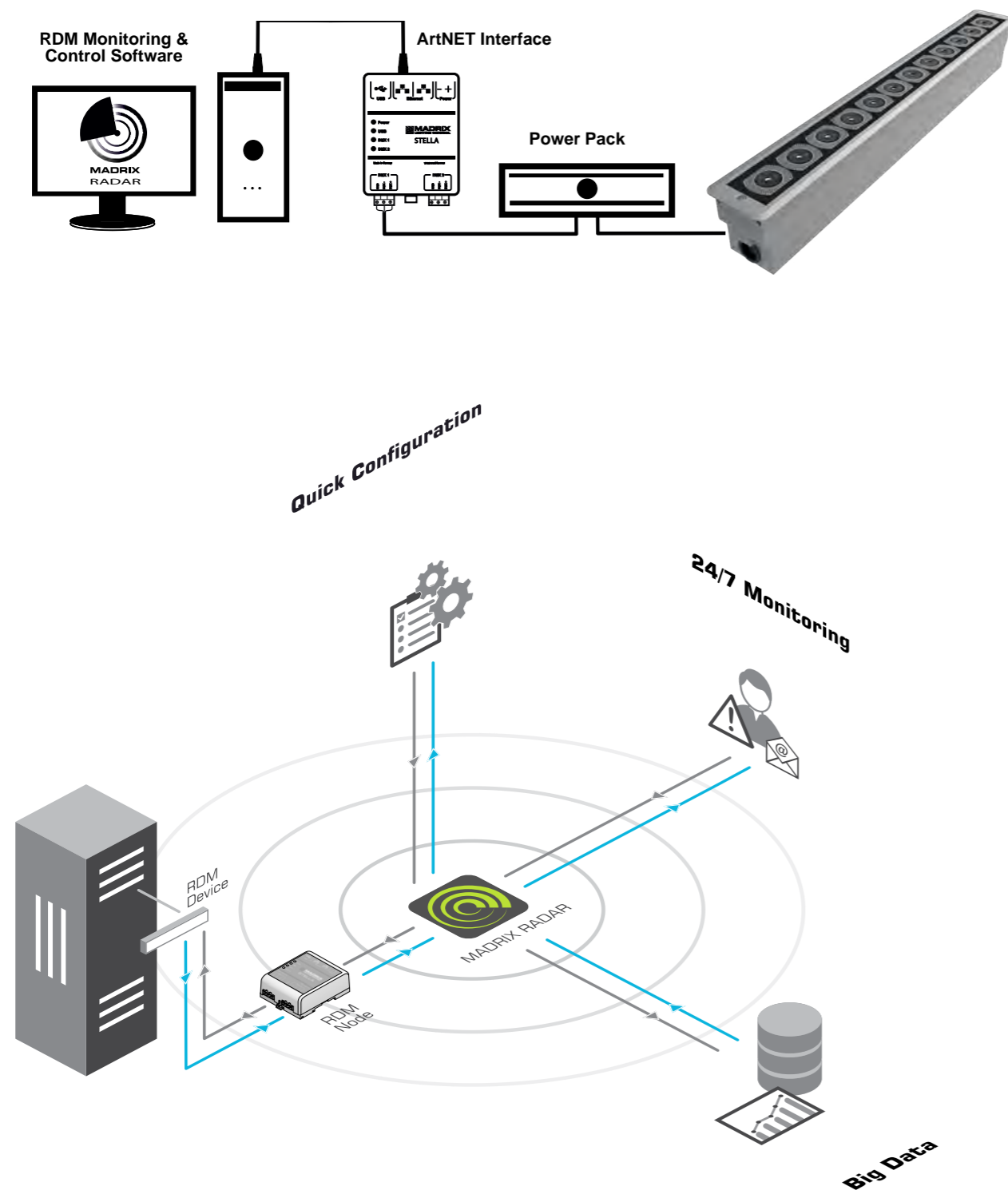
Leverage the valuable information that a device's data history can provide. See individual time series graphically over time. Access data records to see the progression, and find trend lines.

Smart Data Management

Present comprehensive statistics to your clients based on the data that MADRIX® RADAR is collecting. Replace failing devices and avoid replacing the ones that need no immediate replacement. You can freely enable or disable if data points are recorded, for example

Setup & Configuration

With License Model Integra Flexibly Into Your Projects



The MADRIX® System takes advantage of high-quality software and high-quality hardware.

	MADRIX® RDM Nodes		Third-Party RDM Nodes & MADRIX® RADAR License		
			MADRIX® RADAR fusion small	MADRIX® RADAR fusion medium	MADRIX® RADAR fusion large
RDM Devices/Sub-Devices	Automatically unlocks for all connected RDM devices/sub-devices.		32	256	2,048
Management	Yes	Yes	Yes	Yes	Yes
Configuration	Yes	Yes	Yes	Yes	Yes
Monitoring	Yes	Yes	Yes	Yes	Yes



MADRIX RADAR is an independent software that allows you to choose compatible RDM nodes. You gain the enormous advantage with MADRIX RDM nodes of running a fully integrated system. MADRIX hardware processes RDM data packages in a way that does not result in interference with DMX data packages during full and live operation, which could lead to visual flickering or other signal interruptions.

MADRIX interfaces manage these data streams highly efficiently and intelligently.



Big Ideas for Big Results

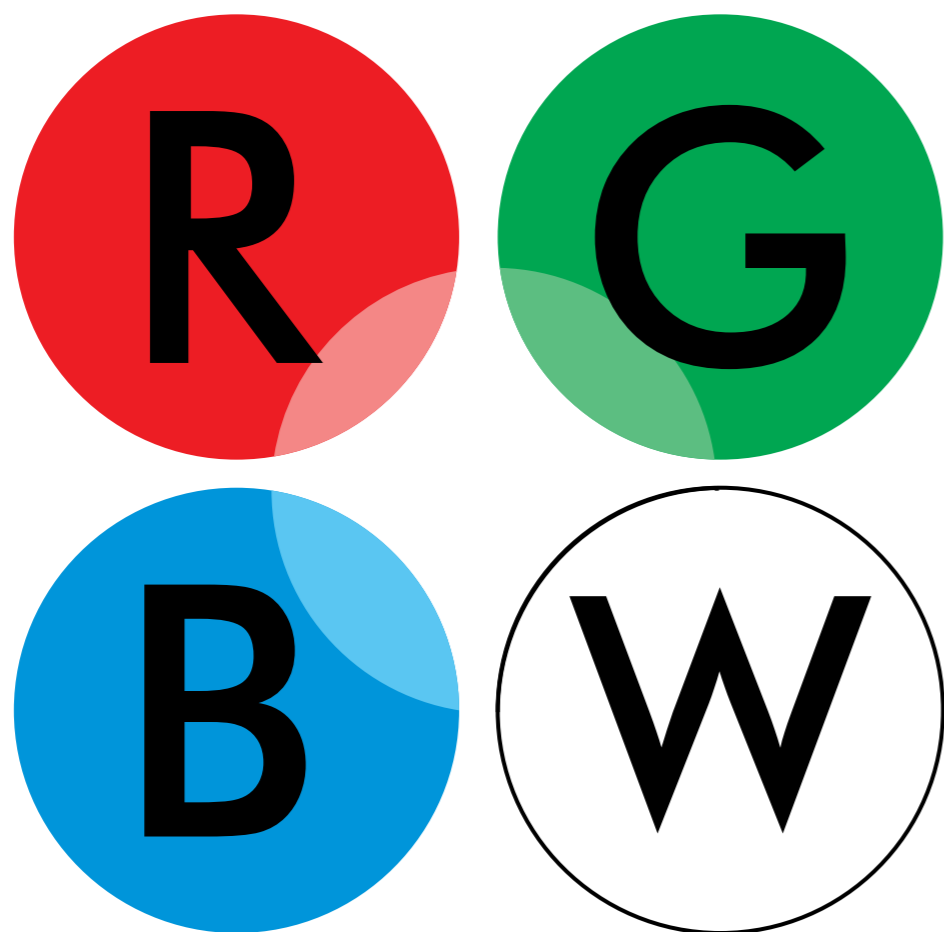
Wall washer lighting is becoming increasingly popular. It is available in many different styles and finishes to complement your facades. The real beauty of this type of lighting is that its main function is to wash all your walls with the light.

Moleline operates on 48V DC which enables very long starter and jumper cable usage, easing installation to a great extent. The Dynamic Power Boost feature allows light to always be at maximum brightness and intensifies non-white colors. Moleline Series also provides easy setup and programming with standard DMX 512 and RDM, with no need for special and complex communication protocols.

We empower you to light up your facade with the best possible wallwasher lights and the best performance with minimum glare, via our Moleline series.

Wall washing illuminates a vertical surface with uniform brightness and draws attention to the facade. It can be used to accentuate architectural artworks. The light reflected from matte surface walls will provide a soft, diffuse light within. The spacing between the fixtures and the wall determines the brightness of the surface.

The wide selection of Moleline wallwashers, make each building feel spacious and welcoming without adding shadows or uneven lighting. Thanks to its special design, fixtures are mounted side-by-side and no shades are formed in-between. This creates a continuous linear view. Since the connector areas are hidden, cables are not visible when viewed from outside in linear use. Thanks to the screw-spring mechanism, fixtures can be easily installed and dismantled with their enclosures.



Our AutoWhite

Technology in Moleline® M6 RGBW

Autowhite algorithm enable auto control of the white LED by 3-channel RGB. With RGB+smart white algorithm, the 3 channel system controls 4 colors per pixel. This allows RGBW usage with less DMX universes and optimises the cost of the project with same color output and improved brightness. Brightness of the White is calculated with an algorithm, from brightness of Red, Green and Blue. This increases brightness of Red, Green and Blue as well as the White.

This simple yet useful algorithm combined with our cutting-edge facade lighting solutions, turn your building into a real landmark. We can illuminate architectural high-lights and even design fascinating color and light effects on exterior facades.

Certification

Product complies with EU Safety regulations of EN 60598-1, EN 60598-2-3, EN 62471, EN 60950-1, EN 60950-22, EN 60529, EN 62262.

Product complies with EU EMC standards of EN 55024, EN 55032, EN 61000-4-3, EN 61000-4-4, EN 61000-4-6, EN 61000-4-8.

Product complies with US Safety standards of UL 1598, UL 60950-1, UL 60950-22 and US EMC standard of FCC Part 15 Class A.

We fully trust in our products and give 5-year warranty for all our product lines, subject to conditions given in the warranty agreement.

Reliability in Numbers

Moleline® M6 fixtures are in IP67 and IK09 protection class and with their robust and durable structure, are designed to meet extremely difficult requirements of outdoor facade applications.

Moleline® M6 fixtures are resistant to impact, vibration and other harsh conditions, with its aluminium integrated body structure and 6mm thick tempered glass. Our conventional fixtures stand the test of time, withstand even the harshest conditions, including dirty power, high-vibration, extreme temperatures and hazardous or volatile outdoor environments.

Facade lighting is an increasingly popular feature of landmark architectural projects, and with our high-quality products, we combine high performance with reliability.

Sell with Complete Confidence

Moleline® fixtures are highly durable and last for many years even in the most demanding conditions. They are IP67 class and with its robust structure, designed to meet most difficult requirements of exterior facade applications. Moleline is resistant to shock, vibration and other challenging conditions with its aluminum integrated body structure and 6mm thick tempered glass.

IP68 push-lock connectors are used for power and data transmission, in/out with no space between them. There is no need to use extra junction boxes. The connector areas are hidden and no cable is visible when viewed from outside in linear use. Thanks to a screw-spring mechanism, the fixture can be easily installed and dismantled with its enclosure.



Aluminum Body

Dismantable Side Caps

Detachable screw

Cable Protection Gasket

Water Evacuation Channels

Push Lock

TEMPERED GLASS

IP 67

IK09

RGBW CE FCC RoHS compliant DMX RDM RDM MONITORING 48VDC

**Light Up Your Life,
Well Do The Rest**

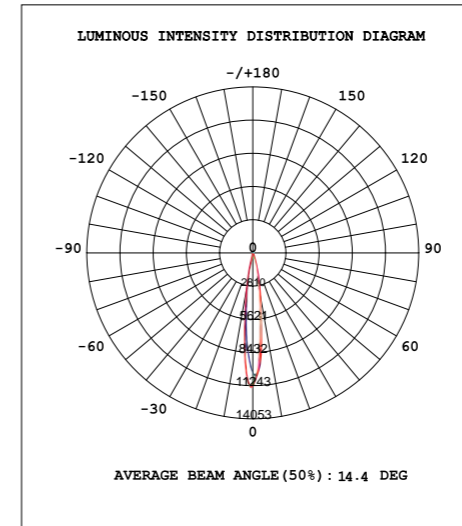
Moleline® M6 RGBW Series consists of 6 High Power LEDs (4 in 1 Chip RGBW) at every 356 mm. It is available in 356mm, 656mm, 956mm, 1256mm, 1556mm length options and it provides excellent color mix with 5 different types of beam angles.

We deliver high-performance professional LED lighting systems in a wide range of types, form factors, and output levels empowering lighting professionals around the world to achieve their projects.

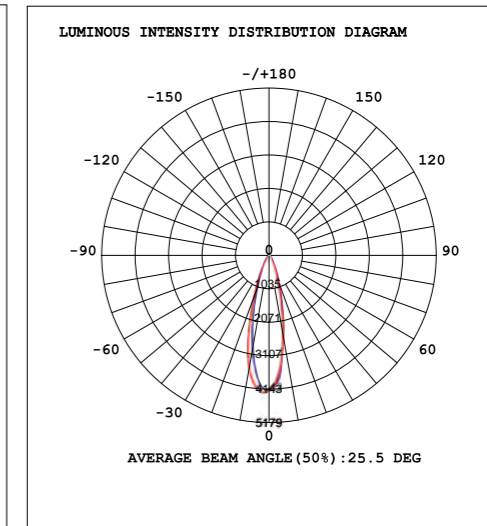
Leoline®M6 fixtures deliver high-intensity light in a range of beams.

Moleline®M6 RGBW SERIES

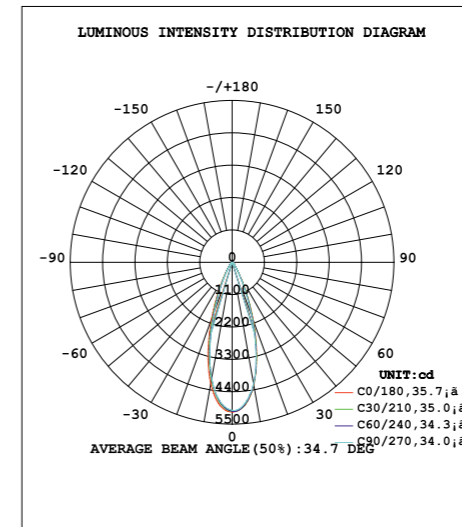
Narrow Beam 10°



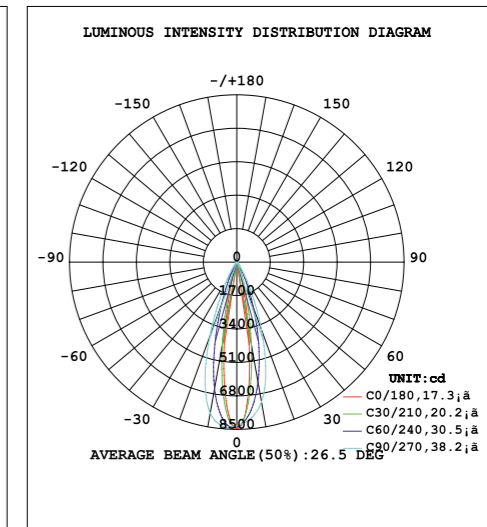
Medium Beam 25°



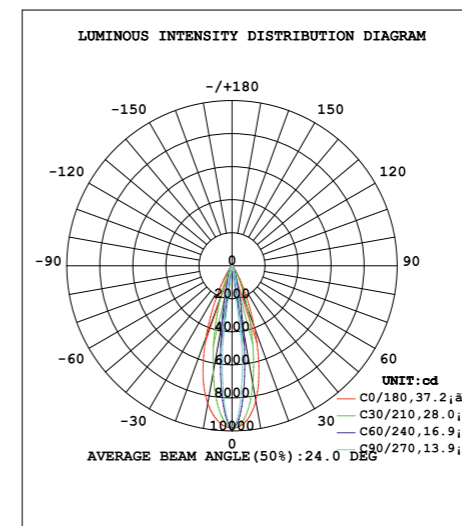
Wide Beam 35°



Asymmetric Beam 40° + 12°

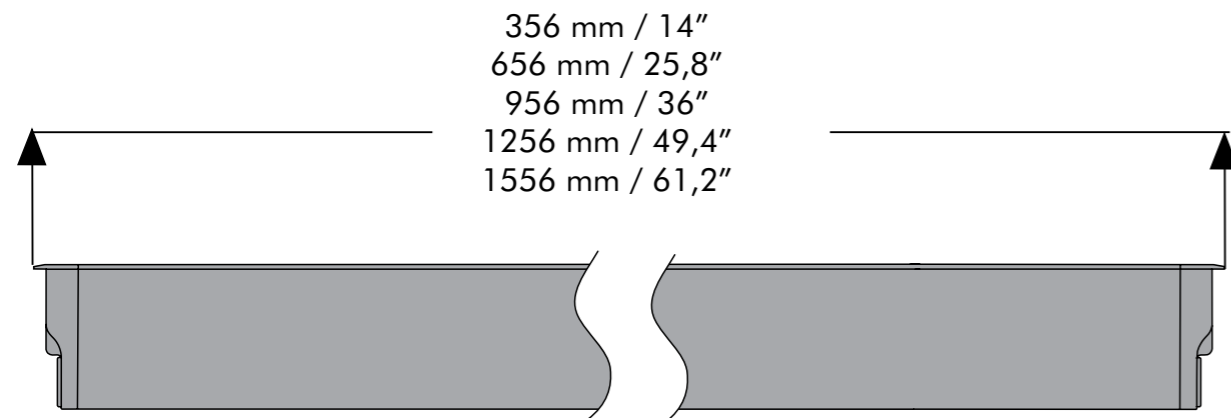
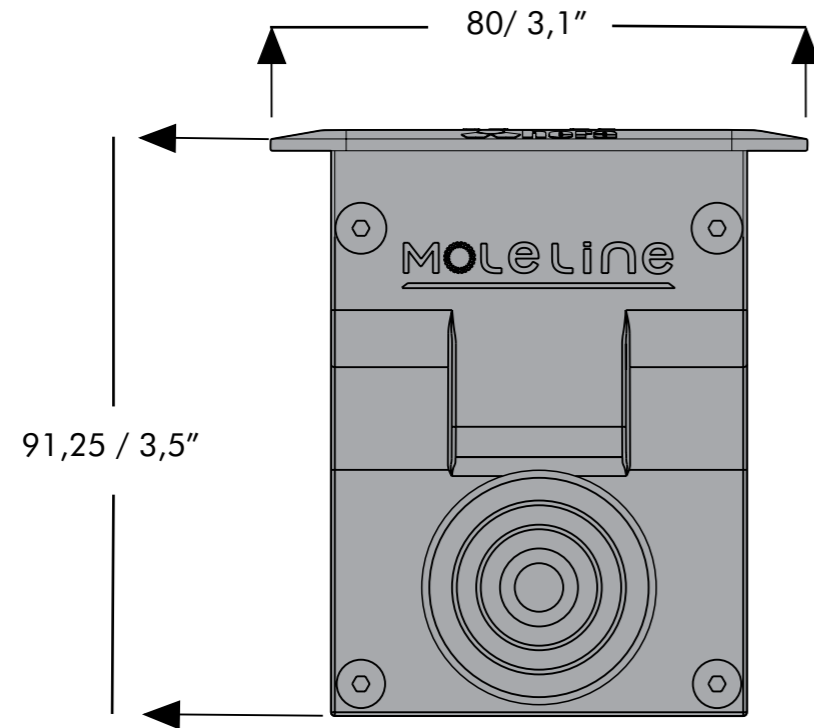


Asymmetric Beam 12° + 40°



Moleline® M6 RGBW Series

DIMENSIONS



Moleline® M6 RGBW Series Specification

Specifications	356mm	656mm	956mm	1256mm	1556mm
Output					
Light Source:	6 High Power 4 in 1 Chip RGBW LEDs per foot				
LED Pitch:	50mm				
Lumen Maintenance:	60.000 > hours L70 @ 50° C (full output)				
Color Range:	16.7 Million additive RGB colors, white CCT 6500K				
Ra(CRI):	RGBW Full on 81CRI				
Beam Angle:	10° / 25° / 35° / 12°+40° / 40°+12°				
	*The lens options above are produced as standard. Please contact us for special beam angles.				
Luminous Flux:	1040 lm	2079 lm	3119 lm	4159 lm	5198 lm
Luminous Intensity:	4909 cd	9819 cd	14728 cd	19638 cd	24547 cd
Efficacy (lm/W):	39,5 lm/W				
	*The values above are measured data in RGB "Full ON" mode and using a 15° lens. Please see IES/LTD files and photometric measurements for different lens beam angles.				
	*Photometric performance is measured in compliance with IESNA LM 79-08				
	*The dynamic power-boost feature enables the light to display the maximum brightness at all times and intensify non-white color				
Control & Programming					
Pixel Pitch:	Pixel pitch is configurable via RDM, max 1pixel/foot				
Color Resolution:	4 x 14-bit (Gamma correction)				
Auto White:	Algorithms enable auto control of white LED by 3-channel RGB values				
Addressing:	RDM (Group of Remote Addressable Systems)				
Monitoring:	Voltage Monitoring, Temperature Monitoring, Status Monitoring, Power Cycle Monitoring, Lumen-Maintenance Life Monitoring				
PWM Frequency:	1,600Hz flicker free dimming to 0.1%				
DMX Compliance:	USITT DMX512-1990				
RDM Compliance:	ANSI/ESTA E1.20-2010				
Electrical					
Operating Voltage:	48VDC				
Power Consumption:	32,5 W	65 W	99 W	132,5 W	166 W
	110 W/m Maximum at full output, steady state				
Maximum in Chain:	Max 4 meters				
Connections:	Push Lock Type 2+4 Pin Waterproof Connector				
Physical					
Housing:	Extruded Aluminium				
Front Material:	Clear Tempered Glass				
End Cap Material:	Integrated Body				
Installation Brackets:	Die-Cast Zinc 10° Multi-positional, locking hinges				
Hardware:	Stainless Steel				
Gasket:	Silicone				
Surface Finish:	Clear Anodized (standard) or Custom Any Anodized (optional)				
Mesurements:					
Weight:	2,3Kg (5,7lb)	4,4Kg (9,7lb)	5,6Kg (12,3lb)	6,5Kg (14,3lb)	7,4Kg (16,5lb)
Dimensions:	91,25x80x356mm	91,25x80x656mm	91,25x80x956mm	91,25x80x1256mm	91,25x80x1556mm
(H x W x D)	3,6x3,14x14in	3,6x3,14x26in	3,6x3,14x37,6in	3,6x3,14x49,4in	3,6x3,14x61,2in
Environmental					
Storage Temperature:	-40°C - 85°C - (-40°F - 185°F)				
Start-up Temperature:	-25°C - 50°C - (-13°F - 122°F)				
Operating Temperature:	-40°C - 50°C - (-40°F - 122°F)				
Thermal Protection:	Automatic overtemperature protection				
Cooling:	Cooling by free air convection				
Vibration Resistance:	Complies with ASTM B117 standard only painted models				
Corrosion Resistance:	Complies with ASTM B117 standard				
Ingress Protection Rating:	IP67				
Impact Resistance Rating:	IK09				
Humidity (max.):	0 to 98%, non-condensing				
Certification					
EU Safety:	EN 60598-1, EN 60598-2-5, EN 60598-2-13, EN 62471, EN 60529, EN 62262				
EU EMC:	EN 55015, EN 61000-3-2, EN 61000-3-3, EN 61547, EN 61000-4-2, EN 61000-4-3, EN 61000-4-4, EN 61000-4-5, EN 61000-4-6, EN 61000-4-8, EN 61000-4-11				
US Safety:	UL 1598				
US EMC:	FCC Part 15 Class A				
Warranty:	5-year Limited Warranty				



Moleline® M6 RGBW Series Fixtures

P02025101 Leoline® M6 356mm DMX RGBW Surface Mounted Narrow Beam 10°
P02025102 Leoline® M6 356mm DMX RGBW Surface Mounted Medium Beam 25°
P02025103 Leoline® M6 356mm DMX RGBW Surface Mounted Wide Beam 35°
P02025106 Leoline® M6 356mm DMX RGBW Surface Mounted Asymmetric Beam 12+40°
P02025107 Leoline® M6 356mm DMX RGBW Surface Mounted Asymmetric Beam 40+12°

P02026101 Leoline® M6 656mm DMX RGBW Surface Mounted Narrow Beam 10°
P02026102 Leoline® M6 656mm DMX RGBW Surface Mounted Medium Beam 25°
P02026103 Leoline® M6 656mm DMX RGBW Surface Mounted Wide Beam 35°
P02026106 Leoline® M6 656mm DMX RGBW Surface Mounted Asymmetric Beam 12+40°
P02026107 Leoline® M6 656mm DMX RGBW Surface Mounted Asymmetric Beam 40+12°

P02027101 Leoline® M6 956mm DMX RGBW Surface Mounted Narrow Beam 10°
P02027102 Leoline® M6 956mm DMX RGBW Surface Mounted Medium Beam 25°
P02027103 Leoline® M6 956mm DMX RGBW Surface Mounted Wide Beam 35°
P02027106 Leoline® M6 956mm DMX RGBW Surface Mounted Asymmetric Beam 12+40°
P02027107 Leoline® M6 956mm DMX RGBW Surface Mounted Asymmetric Beam 40+12°

P02028101 Leoline® M6 1256mm DMX RGBW Surface Mounted Narrow Beam 10°
P02028102 Leoline® M6 1256mm DMX RGBW Surface Mounted Medium Beam 25°
P02028103 Leoline® M6 1256mm DMX RGBW Surface Mounted Wide Beam 35°
P02028106 Leoline® M6 1256mm DMX RGBW Surface Mounted Asymmetric Beam 12+40°
P02028107 Leoline® M6 1256mm DMX RGBW Surface Mounted Asymmetric Beam 40+12°

P02029101 Leoline® M6 1556mm DMX RGBW Surface Mounted Narrow Beam 10°
P02029102 Leoline® M6 1556mm DMX RGBW Surface Mounted Medium Beam 25°
P02029103 Leoline® M6 1556mm DMX RGBW Surface Mounted Wide Beam 35°
P02029106 Leoline® M6 1556mm DMX RGBW Surface Mounted Asymmetric Beam 12+40°
P02029107 Leoline® M6 1556mm DMX RGBW Surface Mounted Asymmetric Beam 40+12°

Moleline® S12 Series

Accessories, Cables, Power/Data Supplies

Cables



P20202-1 Push Lock Type 2+4 Pin 1M Extension Cable
P20202-2.5 Push Lock Type 2+4 Pin 2.5M Extension Cable
P20202-5 Push Lock Type 2+4 Pin 5M Extension Cable
P20202-7.5 Push Lock Type 2+4 Pin 7.5M Extension Cable
P20202-10 Push Lock Type 2+4 Pin 10M Extension Cable
P20202-15 Push Lock Type 2+4 Pin 15M Extension Cable
P20202-20 Push Lock Type 2+4 Pin 20M Extension Cable
P20202-0.5 Push Lock Type 2+4 Pin 0.5M Extension Cable
P20202-0.75 Push Lock Type 2+4 Pin 0.75M Extension Cable
P20202-1 Push Lock Type 2+4 Pin 1M Extension Cable
P20202-1.5 Push Lock Type 2+4 Pin 1.5M Extension Cable
P20202-2 Push Lock Type 2+4 Pin 2M Extension Cable
P20202-2.5 Push Lock Type 2+4 Pin 2.5M Extension Cable
P20202-3 Push Lock Type 2+4 Pin 3M Extension Cable
P20202-3.5 Push Lock Type 2+4 Pin 3.5M Extension Cable
P20202-4 Push Lock Type 2+4 Pin 4M Extension Cable
P20202-5 Push Lock Type 2+4 Pin 5M Extension Cable
P20202-7.5 Push Lock Type 2+4 Pin 7.5M Extension Cable
P20202-10 Push Lock Type 2+4 Pin 10M Extension Cable
P20202-15 Push Lock Type 2+4 Pin 15M Extension Cable
P20202-20 Push Lock Type 2+4 Pin 20M Extension Cable

Power/Data Supplies



P08002 Power Pack 320 320W 2 Outputs Power Supply
P08003 Power Pack 500 500W 2 Outputs Power Supply
P08004 Power Pack 1000 1000W 8 Outputs Power Supply
P08013 Power Pack 2000 2000W 8 Outputs Power Supply



HERA EĞLENCE VE MİMARİ AYDINLATMA SİSTEMLERİ A.Ş

Gullubaglar Mah. Kahramanlar Cad. No:3-1

34906 Pendik / Istanbul / Turkey

T.+90 216 307 79 00

F.+90 216 307 79 02

www.heraled.com info@heraled.com